



SAFE D-2F

Safety luminaire in compliance with EN 60598-1/2-22 and EN 1838.

Weatherproof and ball-proof die-cast aluminum housing with safety glass pane, sealed with silicone. Cable entry into luminaire housing from rear and bottom possible.

Version for ceiling mounting with two high-power LEDs and cast acrylic optics for area illumination due to circular light deflection characteristics. IP65 membrane pressure compensation valve as standard.

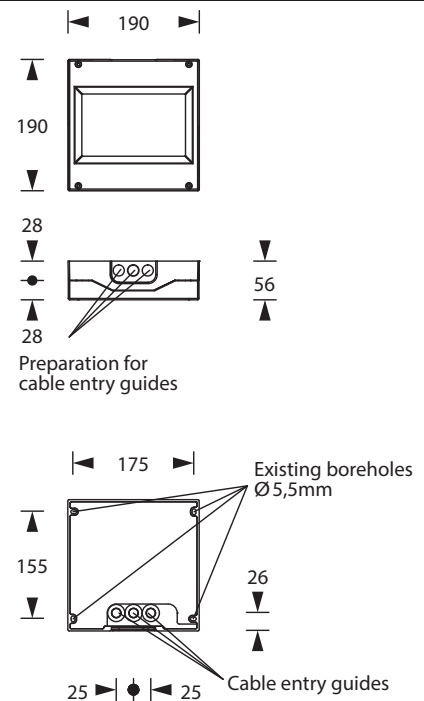
Optionally, the luminaire can be supplied as a central battery version for a temperature range down to -35°C (unmonitored).

Technical specifications

Luminaire type	Luminaires for central battery systems	Self contained luminaires
Illuminant	2 x 3 W LED	2 x 3 W LED
Connecting terminals	3 x 2.5 mm ² for double assignment	
Colour	white	
Material	Aluminum die-cast	
Mounting type	Ceiling mounting	
Dimensions (W x H x D)	DM 190 x 56 x 190 mm	
Protection class	IP65	
Safety class	I	
IK Safety class	IK08	
Light current (mains)	480 lm	360 lm
Light current (emergency)		
Rated operating time 1h	-	480 lm
Rated operating time 3h	-	480 lm
Rated operating time 8h	-	240 lm
Luminous flux		
Emergency (DC) / mains		
Rated operating time 1h	-	100% / 75%
Rated operating time 3h	-	100% / 75%
Rated operating time 8h	-	50% / 75%
Power consumption	10 VA	8 VA
Battery current input	25 mA	-
Battery duration	-	1h / 3h / 8h
Battery operation		
Voltage supply	230V 50/60Hz; 220V DC +25/-20%	230V 50/60Hz
NiMH-battery		
Rated operating time 1h	-	4,8V 2,0Ah 4,8V 2,0Ah + AkH
Rated operating time 3h	-	4,8V 4,2Ah 4,8V 4,2Ah + AkH
Rated operating time 8h	-	4,8V 4,2Ah 4,8V 4,2Ah + AkH
Temperature range	-10°C to +40°C (monitored) / -20°C to +40°C (unmonitored)	-
Non-maintained mode	-	0°C to +35°C
Maintained mode	-	-5°C to +30°C
optional		
Multi-switch and monitoring module	ELC MSÜ3 SET009 SET010	-
Self monitoring	-	SELF CHECK
Central monitoring	-	SAFELOG Line
Wireless monitoring	-	SAFELOG Wireless



Ceiling mounting



Accessories

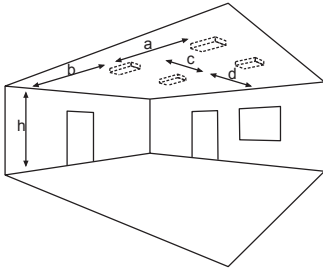
Rear mounting bracket

Pole and wall bracket

Chain assembly set

Cable assembly set

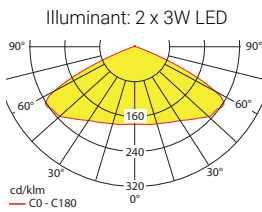
Lighting data and tables of luminaire distances ($E = 1,25 \text{ lx}$)



Ceiling mounting

Luminaires for central battery systems wide area optics

Distance table for plane emergency routes / distance data in meters

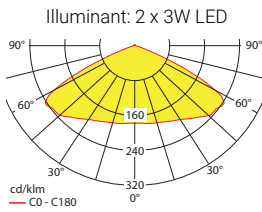


Luminous flux emergency / mains: 480lm

h	2.50	3.00	3.50	4.00	4.50	5.00	5.50	6.00	6.50	7.00	7.50	8.00	8.50
a	11.20	12.60	13.90	15.00	16.00	16.70	17.30	17.50	17.40	17.00	16.50	15.80	15.00
b	4.90	5.50	5.90	6.10	6.20	6.00	5.70	5.30	4.80	4.20	3.50	2.70	1.20
c	11.20	12.60	13.90	15.00	16.00	16.70	17.30	17.50	17.40	17.00	16.50	15.80	15.00
d	4.90	5.50	5.90	6.10	6.20	6.00	5.70	5.30	4.80	4.20	3.50	2.70	1.20

Self contained luminaires wide area optics

Distance table for plane emergency routes / distance data in meters

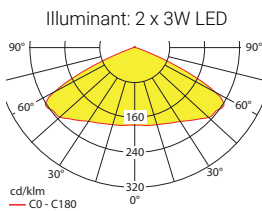


Luminous flux emergency / mains: 480lm/360lm – Rated operating time: 1h

h	2.50	3.00	3.50	4.00	4.50	5.00	5.50	6.00	6.50	7.00	7.50	8.00	8.50
a	11.20	12.60	13.90	15.00	16.00	16.70	17.30	17.50	17.40	17.00	16.50	15.80	15.00
b	4.90	5.50	5.90	6.10	6.20	6.00	5.70	5.30	4.80	4.20	3.50	2.70	1.20
c	11.20	12.60	13.90	15.00	16.00	16.70	17.30	17.50	17.40	17.00	16.50	15.80	15.00
d	4.90	5.50	5.90	6.10	6.20	6.00	5.70	5.30	4.80	4.20	3.50	2.70	1.20

Self contained luminaires wide area optics

Distance table for plane emergency routes / distance data in meters

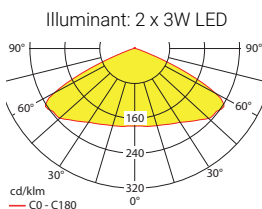


Luminous flux emergency / mains: 480lm/360lm – Rated operating time: 3h

h	2.50	3.00	3.50	4.00	4.50	5.00	5.50	6.00	6.50	7.00	7.50	8.00	8.50
a	11.20	12.60	13.90	15.00	16.00	16.70	17.30	17.50	17.40	17.00	16.50	15.80	15.00
b	4.90	5.50	5.90	6.10	6.20	6.00	5.70	5.30	4.80	4.20	3.50	2.70	1.20
c	11.20	12.60	13.90	15.00	16.00	16.70	17.30	17.50	17.40	17.00	16.50	15.80	15.00
d	4.90	5.50	5.90	6.10	6.20	6.00	5.70	5.30	4.80	4.20	3.50	2.70	1.20

Self contained luminaires wide area optics

Distance table for plane emergency routes / distance data in meters



Luminous flux emergency / mains: 240lm/360lm – Rated operating time: 8h

h	2.50	3.00	3.50	4.00	4.50	5.00	5.50	6.00					
a	9.90	11.00	11.80	12.30	12.30	12.00	11.40	10.60					
b	4.20	4.40	4.20	4.00	3.50	2.90	2.20	0.90					
c	9.90	11.00	11.80	12.30	12.30	12.00	11.40	10.60					
d	4.20	4.40	4.20	4.00	3.50	2.90	2.20	0.90					