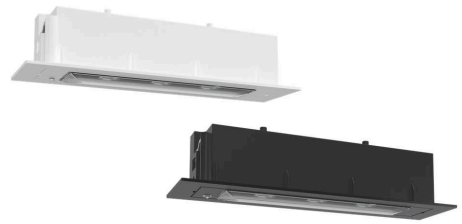




E-LINE 200 BEL DE

Safety luminaire in compliance with EN 60598-1/2-22 and EN 1838.

Simple IP54 safety luminaire made of polycarbonate in white or black with clear cover. Screwless, easy-to-use locking mechanism. The luminaire can be used for recessed ceiling mounting and is used for area illumination. The luminaire is equipped with a 2 Watt LED bar.



Technical specifications

Luminaire type	Luminaires for central battery systems	Self contained luminaires
Illuminant	2 W LED-bar	2 W LED-bar
Connecting terminals	2 x 2.5 mm ² for double assignment	
Colour	white / black	
Material	Polycarbonate (light cover clear)	
Mounting type	Recessed mounting	
Additional mounting types*	Wall mounting, Ceiling mounting	
Dimensions (W x H x D)	DE 308 x 72 x 77 mm	
Dimensions ceiling cutout (L x W)	min. 270 x 60 mm / max. 285 x 65 mm	
Installation depth	94 mm	
Protection class	IP54	
Safety class	II	
IK Safety class	IK03	
Light current (mains)	240 lm	240 lm
Light current (emergency)		
Rated operating time 1h	-	240 lm
Rated operating time 3h	-	240 lm
Rated operating time 8h	-	110 lm
Luminous flux		
Emergency (DC) / mains		
Rated operating time 1h	-	100% / 100%
Rated operating time 3h	-	100% / 100%
Rated operating time 8h	-	45% / 100%
Power consumption	5.5 VA	5.5 VA
Battery current input	14 mA	-
Battery duration	-	1h / 3h / 8h
Battery operation		
Voltage supply	230V 50/60Hz; 220V DC +25/-20%	230V 50/60Hz
NiMH-battery		
Rated operating time 1h	-	4,8V 2,0Ah
Rated operating time 3h	-	4,8V 2,0Ah
Rated operating time 8h	-	4,8V 2,0Ah
Temperature range	-10°C to +40°C	-
Non-maintained mode	-	0°C to +35°C
Maintained mode	-	-5°C to +30°C
optional		
Multi-switch and monitoring module	ELC MSÜ3 SET009 SET010	-
Self monitoring	-	SELF CHECK
Central monitoring	-	SAFELOG Line
Wireless monitoring	-	SAFELOG Wireless

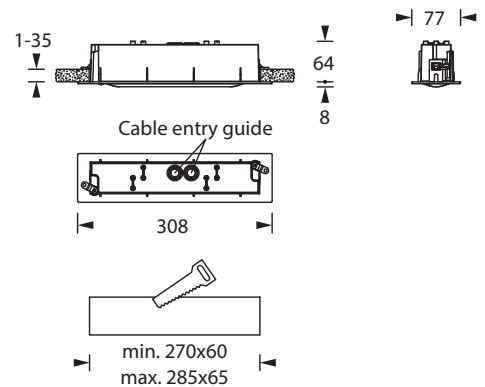
* Optional accessory required

Accessories

Wire guard

Ceiling mounting set - E-LINE 200

Recessed mounting



Lighting data and tables of luminaire distances (E = 1,25 lx)



Ceiling mounting

Luminaires for central battery systems Wide area illumination

Distance table for plane emergency routes / distance data in meters

illuminant: 2W LED-bar

Luminous flux emergency / mains: 240lm

h	2.50	3.00	3.50	4.00	4.50	5.00	5.50	6.00	6.50	7.00	7.50
a	9.00	9.60	10.20	10.60	10.80	11.00	11.10	11.10	11.00	10.80	10.50
b	3.60	3.80	3.90	3.90	3.90	3.80	3.60	3.40	3.00	2.50	1.60
c	9.20	9.80	10.00	10.30	10.70	11.10	11.30	11.30	11.10	10.90	10.50
d	3.60	3.70	3.90	4.00	4.00	3.80	3.60	3.40	3.00	2.50	1.70

cd/klm
— C0 - C180 — C90 - C270

Self contained luminaires Wide area illumination

Distance table for plane emergency routes / distance data in meters

illuminant: 2W LED-bar

Luminous flux emergency / mains: 240lm/240lm – **Rated operating time: 1h**

h	2.50	3.00	3.50	4.00	4.50	5.00	5.50	6.00	6.50	7.00	7.50
a	9.00	9.60	10.20	10.60	10.80	11.00	11.10	11.10	11.00	10.80	10.50
b	3.60	3.80	3.90	3.90	3.90	3.80	3.60	3.40	3.00	2.50	1.60
c	9.20	9.80	10.00	10.30	10.70	11.10	11.30	11.30	11.10	10.90	10.50
d	3.60	3.70	3.90	4.00	4.00	3.80	3.60	3.40	3.00	2.50	1.70

cd/klm
— C0 - C180 — C90 - C270

Self contained luminaires Wide area illumination

Distance table for plane emergency routes / distance data in meters

illuminant: 2W LED-bar

Luminous flux emergency / mains: 240lm/240lm – **Rated operating time: 3h**

h	2.50	3.00	3.50	4.00	4.50	5.00	5.50	6.00	6.50	7.00	7.50
a	9.00	9.60	10.20	10.60	10.80	11.00	11.10	11.10	11.00	10.80	10.50
b	3.60	3.80	3.90	3.90	3.90	3.80	3.60	3.40	3.00	2.50	1.60
c	9.20	9.80	10.00	10.30	10.70	11.10	11.30	11.30	11.10	10.90	10.50
d	3.60	3.70	3.90	4.00	4.00	3.80	3.60	3.40	3.00	2.50	1.70

cd/klm
— C0 - C180 — C90 - C270

Self contained luminaires Wide area illumination

Distance table for plane emergency routes / distance data in meters

illuminant: 2W LED-bar

Luminous flux emergency / mains: 110lm/240lm – **Rated operating time: 8h**

h	2.50	3.00	3.50	4.00	4.50	5.00
a	6.90	7.20	7.30	7.30	7.20	6.90
b	2.60	2.60	2.40	2.20	1.80	1.00
c	6.70	7.10	7.40	7.50	7.30	6.90
d	2.60	2.60	2.50	2.20	1.80	1.00

cd/klm
— C0 - C180 — C90 - C270