



# ALULINE E300 DE

## Exit luminaire in compliance with EN 60598-1/2-22 and EN 1838.

Simple and modern design, made of high quality aluminum in the color white or black, special colors possible.

The luminaire is suitable for recessed ceiling mounting. With the wall bracket, which can be ordered separately, it can also be used for recessed wall mounting in cavity walls.

Convenient installation due to circular cut-out. Installation box and installation container are included in the scope of delivery.

With the two accessory sets central pendant and wire mounting, the luminaire is extremely versatile and versatile.

The 10 mm light-deflecting pane is illuminated with a 1,5 or 3 Watt LED-bar.

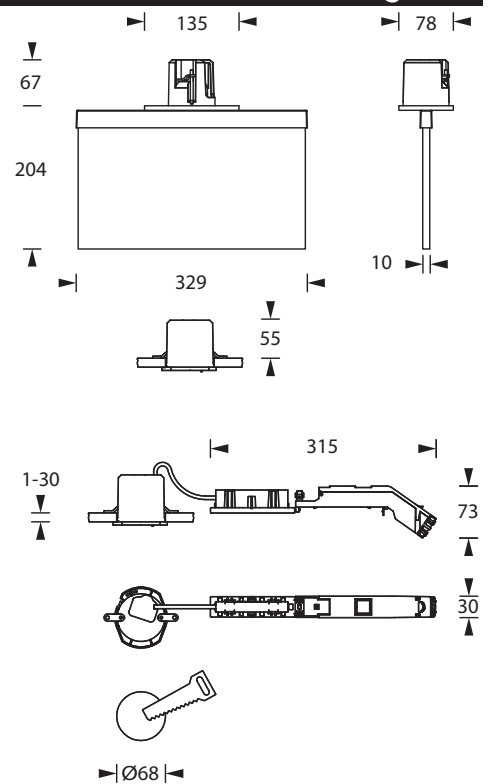
The luminaire price includes one pictogram foil set - arrow left/right/down/up/blind (Visibility distance 30 m).



## Technical specifications

Luminaire type	Luminaires for central battery systems		Self contained luminaires	
	1.5 W LED-bar	3 W LED-bar	1.5 W LED-bar	3 W LED-bar
Illuminant	1.5 W LED-bar	3 W LED-bar	1.5 W LED-bar	3 W LED-bar
Visibility distance	30 m			
Connecting terminals	2 x 2.5 mm <sup>2</sup> for double assignment			
Colour	white / black			
Material	Aluminum die-cast			
Mounting type	Recessed mounting			
Dimensions (W x H x D)	DE 329 x 204 x 78 mm			
Pane dimensions (W x H x D)	323.5 x 187.5 x 10 mm			
Dimensions Container (W x H x D)	315 x 73 x 30 mm			
Ceiling cutout (Ø)	68 mm			
Min. installation depth	130 mm			
Protection class	IP40			
Safety class	II			
IK Safety class	IK03			
Light current (mains)	190 lm	350 lm	190 lm	350 lm
Luminous flux Emergency (DC) / mains				
Rated operating time 1h	-	-	40% / 100%	20% / 100%
Rated operating time 3h	-	-	40% / 100%	20% / 100%
Rated operating time 8h	-	-	20% / 100%	10% / 100%
Power consumption	5 VA	6 VA	5 VA	6 VA
Battery current input	12 mA	19 mA	-	
Battery duration	-			
Battery operation	1h / 3h / 8h			
Voltage supply	230V 50/60Hz; 220V DC +25/-20%		230V 50/60Hz	
NiMH-battery				
Rated operating time 1h	-	-	4,8V 0,8Ah	4,8V 0,8Ah
Rated operating time 3h	-	-	4,8V 0,8Ah	4,8V 0,8Ah
Rated operating time 8h	-	-	4,8V 0,8Ah	4,8V 0,8Ah
Temperature range	-10°C to +40°C		-	
Non-maintained mode	-		0°C to +35°C	
Maintained mode	-		-5°C to +30°C	
optional				
Multi-switch and monitoring module	ELC MSÜ3 SET009 SET010		-	
Self monitoring	-		SELF CHECK	
Central monitoring	-		SAFELOG Line	
Wireless monitoring	-		SAFELOG Wireless	

## Recessed mounting

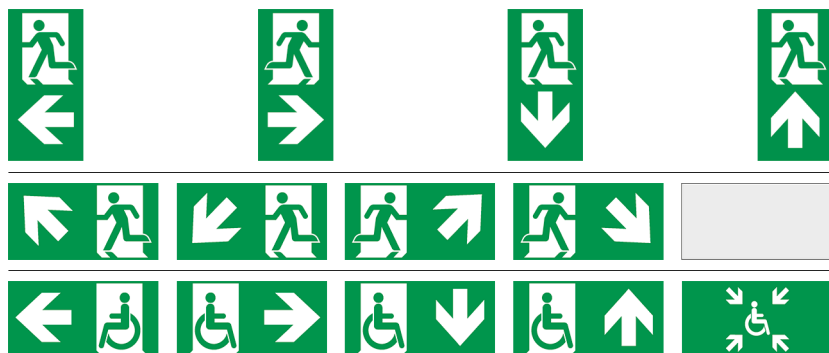


Attention: Minimum installation depth 130 mm

### Pictogram-set - included in the delivery



### Optional pictograms (-sets)



### Accessories

Central pendulum - ALULINE

Cable assembly set ALULINE - conducting

Wall mounting bracket ALULINE

Pictograms