



S-LINE 300 UM

Exit luminaire in compliance with EN 60598-1/2-22 and EN 1838.

Very slim, attractive housing made of polycarbonate. Screwless, easy-to-use locking mechanism.

Can be used for wall or ceiling mounting due pre-stamped mounting and cable entry openings from top or rear. For wall mounting, an unobtrusive wall adapter with click system is included. With optional ceiling mounting frame also possible as recessed version.

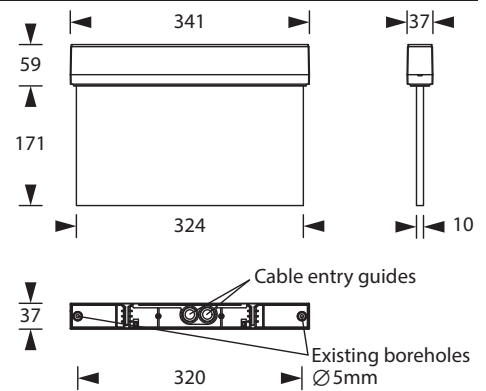
The 10 mm light deflecting pane is illuminated with a 1,5 Watt or 3 Watt LED-bar and a pictogram set - arrow left/right/down/up/blind (Visibility distance 30 m) is included.



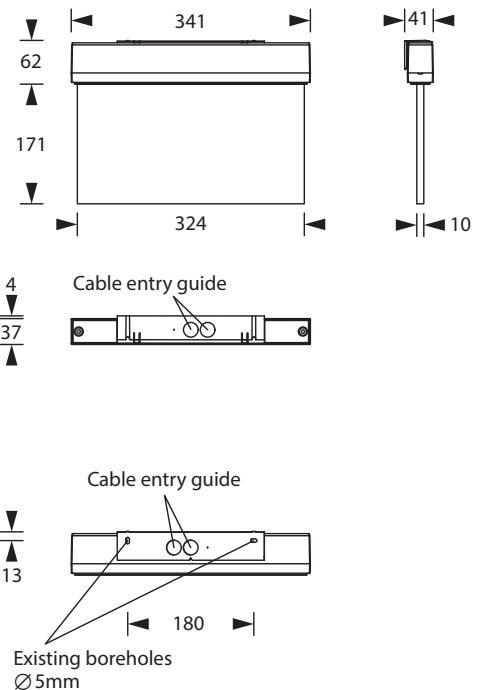
Technical specifications

Luminaire type	Luminaires for central battery systems		Self contained luminaires	
	1.5 W LED-bar	3 W LED-bar	1.5 W LED-bar	3 W LED-bar
Illuminant				
Visibility distance	30 m			
Connecting terminals	2 x 2.5 mm ² for double assignment			
Colour	white / black			
Material	Polycarbonate			
Mounting type	Wall-/ceiling mounting			
Dimensions (W x H x D)	DM 341 x 230 x 37 mm WM 341 x 233 x 41 mm			
Pane dimensions (W x H x D)	324 x 187.5 x 10 mm			
Protection class	IP43			
Safety class	II			
IK Safety class	IK03			
Light current (mains)	190 lm	350 lm	190 lm	350 lm
Luminous flux Emergency (DC) / mains				
Rated operating time 1h	-	-	40% / 100%	20% / 100%
Rated operating time 3h	-	-	40% / 100%	20% / 100%
Rated operating time 8h	-	-	20% / 100%	10% / 100%
Power consumption	5 VA	6 VA	5 VA	6 VA
Battery current input	12 mA	19 mA	-	
Rated operating time Battery operation	-		1h / 3h / 8h	
Voltage supply	230V 50/60Hz; 220V DC +25/-20%		230V 50/60Hz	
NiMH-battery				
Rated operating time 1h	-	-	4,8V 0,8Ah	4,8V 0,8Ah
Rated operating time 3h	-	-	4,8V 0,8Ah	4,8V 0,8Ah
Rated operating time 8h	-	-	4,8V 0,8Ah	4,8V 0,8Ah
Temperature range	-10°C to +40°C		-	
Non-maintained mode	-		0°C to +35°C	
Maintained mode	-		-5°C to +30°C	
optional				
Multi-switch and monitoring module	ELC MSÜ3 SET009 SET010		-	
Self monitoring	-		SELF CHECK	
Central monitoring	-		SAFELOG Line	
Wireless monitoring	-		SAFELOG Wireless	

Ceiling mounting



Wall mounting



Pictogram-set - included in the delivery



Accessories

Wire guard

Cement assembly box

Recessed ceiling frame - clampable

Universal cover plate

Chain assembly set

Central pendulum - Plastic

Cable assembly set

Wall bracket

Pictograms