



VARIOLINE 300 UM

Exit luminaire in compliance with EN 60598-1/2-22 and EN 1838.

Attractive, architectural design through combination of round and angular anodized aluminum profiles. Optionally usable as ceiling mounting or wall mounting by swiveling the upper part continuously.

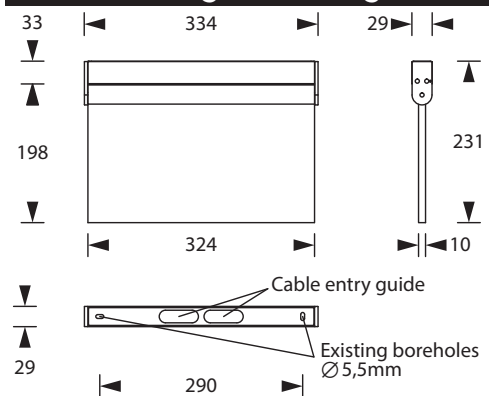
The 10 mm light deflecting pane is illuminated with a 3 Watt LED-bar and supplied with a pictogram set - arrow left/right/down/up/blind (Visibility distance 30 m).

Technical specifications

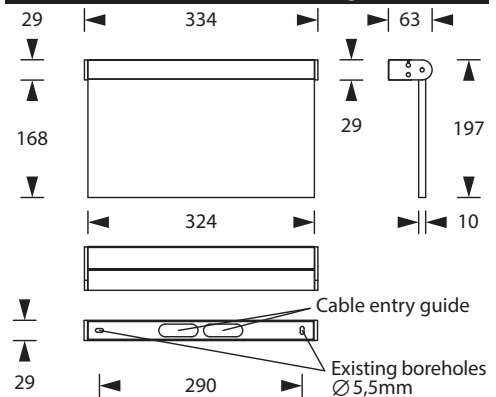
Luminaire type	Luminaires for central battery systems	Self contained luminaires
Illuminant	3 W LED-bar	3 W LED-bar
Visibility distance	30 m	
Connecting terminals	3 x 2.5 mm ² for double assignment	
Colour	white aluminum (silver)	
Material	Aluminum	
Mounting type	Wall-/ceiling mounting	
Dimensions (W x H x D)	DM 334 x 231 x 29 mm WM 334 x 197 x 63 mm	
Pane dimensions (W x H x D)	324 x 187.5 x 10 mm	
Protection class	IP40	
Safety class	I	
IK Safety class	IK03	
Light current (mains)	350 lm	350 lm
Luminous flux		
Emergency (DC) / mains		
Rated operating time 1h	-	20% / 100%
Rated operating time 3h	-	20% / 100%
Rated operating time 8h	-	10% / 100%
Power consumption	6 VA	6 VA
Battery current input	19 mA	-
Battery duration	-	1h / 3h / 8h
Battery operation		
Voltage supply	230V 50/60Hz; 220V DC +25/-20%	230V 50/60Hz
NiMH-battery		
Rated operating time 1h	-	4,8V 0,8Ah
Rated operating time 3h	-	4,8V 0,8Ah
Rated operating time 8h	-	4,8V 0,8Ah
Temperature range	-10°C to +40°C	-
Non-maintained mode	-	0°C to +35°C
Maintained mode	-	-5°C to +30°C
optional		
Multi-switch and monitoring module	ELC MSÜ3 SET009 SET010	-
Self monitoring	-	SELF CHECK
Central monitoring	-	SAFELOG Line
Wireless monitoring	-	SAFELOG Wireless



Ceiling mounting



Wall mounting



Pictogram-set - included in the delivery



Optional pictograms (-sets)



Accessories

Wire guard

Universal cover plate

Cable surface mounting set

Pictograms