



SAFE W-2R-90

Safety luminaire in compliance with EN 60598-1/2-22 and EN 1838.

Model for wall mounting with two high-performance LEDs and cast acrylic optics. Weather-proof aluminum die-casting housing with a safety glass, for illumination of escape route to the safe area outside a building due to 90° light angle away from the building wall.

Cable inlet into the luminaire possible from the back and from below. Product includes an IP65 membrane pressure compensation valve.

Optionally, the luminaire can be delivered as a central battery version for a temperature range down to -35°C (unmonitored).

Optional the luminaire is available with an external supply unit to mount it outside and the supply unit inside. Also optional is a heating case with battery (4,8V 4,2Ah) to use in environments with lowest permissible temperature of -20°C within the luminaire.

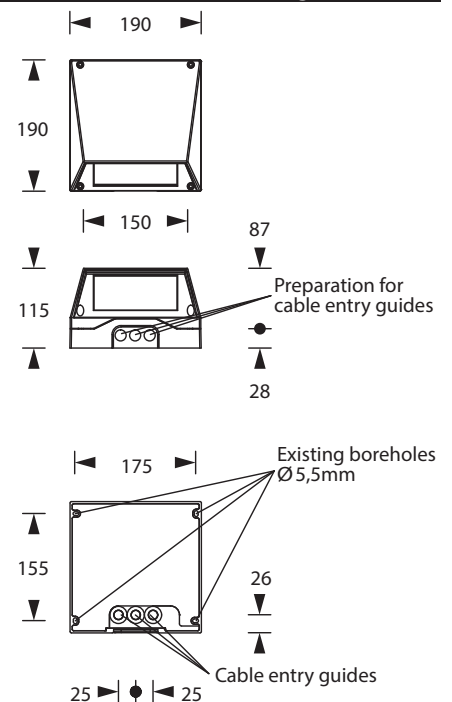


Figure shows accessory

Technical specifications

Luminaire type	Luminaires for central battery systems	Self contained luminaires
Illuminant	2 x 3 W LED	2 x 3 W LED
Connecting terminals	3 x 2.5 mm ² for double assignment	
Colour	white / graphite grey	
Material	Aluminum die-cast	
Mounting type	Wall mounting	
Dimensions (W x H x D)	WM 190 x 190 x 115 mm	
Protection class	IP65	
Safety class	I	
IK Safety class	IK08	
Light current (mains)	480 lm	360 lm
Light current (emergency)		
Rated operating time 1h	-	480 lm
Rated operating time 3h	-	480 lm
Rated operating time 8h	-	240 lm
Luminous flux		
Emergency (DC) / mains		
Rated operating time 1h	-	100% / 75%
Rated operating time 3h	-	100% / 75%
Rated operating time 8h	-	50% / 75%
Power consumption	10 VA	8 VA
Battery current input	25 mA	-
Battery duration		
Battery operation	-	1h / 3h / 8h
Voltage supply	230V 50/60Hz; 220V DC +25/-20%	230V 50/60Hz
NiMH-battery		
Rated operating time 1h	-	4,8V 2,0Ah 4,8V 2,0Ah + AkH
Rated operating time 3h	-	4,8V 4,2Ah 4,8V 4,2Ah + AkH
Rated operating time 8h	-	4,8V 4,2Ah 4,8V 4,2Ah + AkH
Temperature range	-10°C to +40°C (monitored) / -20°C to +40°C (unmonitored)	-
Non-maintained mode	-	0°C to +35°C
Maintained mode	-	-5°C to +30°C
optional		
Multi-switch and monitoring module	ELC MSÜ3 SET009 SET010	-
Self monitoring	-	SELF CHECK
Central monitoring	-	SAFELOG Line
Wireless monitoring	-	SAFELOG Wireless

Wall mounting



Accessories

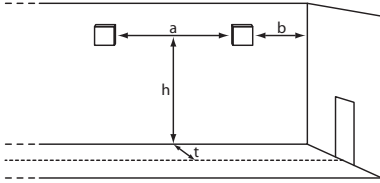
Rear mounting bracket

Bollard

Ground anchor for bollard

Pole and wall bracket

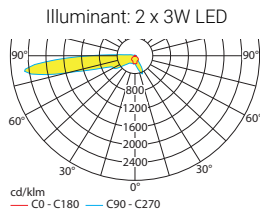
Lighting data and tables of luminaire distances ($E = 1,25 \text{ lx}$)



Wall mounting

Luminaires for central battery systems **escape route optics**

Distance table for plane emergency routes / distance data in meters



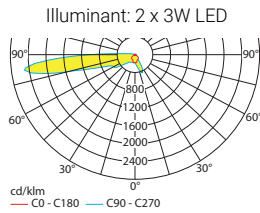
Luminous flux emergency / mains: 480lm

h	1.00	2.00	2.50	3.00	3.50	4.00
t	8.50	12.50	13.40	13.70	13.50	9.00

Width of the escape route 2m (1lx in the middle and 0,5lx at the edge)

Self contained luminaires **escape route optics**

Distance table for plane emergency routes / distance data in meters



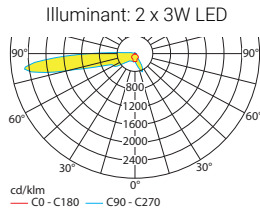
Luminous flux emergency / mains: 480lm/360lm – **Rated operating time: 1h**

h	1.00	2.00	2.50	3.00	3.50	4.00
t	8.50	12.50	13.40	13.70	13.50	9.00

Width of the escape route 2m (1lx in the middle and 0,5lx at the edge)

Self contained luminaires **escape route optics**

Distance table for plane emergency routes / distance data in meters



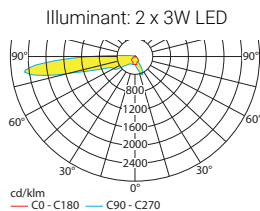
Luminous flux emergency / mains: 480lm/360lm – **Rated operating time: 3h**

h	1.00	2.00	2.50	3.00	3.50	4.00
t	8.50	12.50	13.40	13.70	13.50	9.00

Width of the escape route 2m (1lx in the middle and 0,5lx at the edge)

Self contained luminaires **escape route optics**

Distance table for plane emergency routes / distance data in meters



Luminous flux emergency / mains: 240lm/360lm – **Rated operating time: 8h**

h	1.00	2.00	2.50	3.00	3.50	4.00
t	6.90	9.80	9.90	6.30	6.00	5.90

Width of the escape route 2m (1lx in the middle and 0,5lx at the edge)