



# WALL-STAR EQ-F

## Safety luminaire in compliance with EN 60598-1/2-22 and EN 1838.

Almost wall-flush luminaire body made of die-cast aluminum, powder-coated in white in square design for installation in device boxes with optics for surface illumination. A square surface-mount housing for wall surface mounting is available as an option.

## Technical specifications

Luminaire type	Luminaires for central battery systems
Illuminant	3 W LED
Connecting terminals	2 x 2.5 mm <sup>2</sup> for double assignment
Colour	white
Material	Aluminum die-cast
Mounting type	Wall recessed mounting
Additional mounting types*	Wall mounting
Dimensions (W x H x D)	WE 90 x 24 x 90 mm
Protection class	IP40
Safety class	II
IK Safety class	IK03
Light current (mains)	280 lm
Power consumption	6 VA
Battery current input	15 mA
Voltage supply	230V 50/60Hz; 220V DC +25/-20%
Temperature range	-10°C to +40°C
optional	
Multi-switch and monitoring module	ELC MSÜ3 SET010

\* Optional accessory required

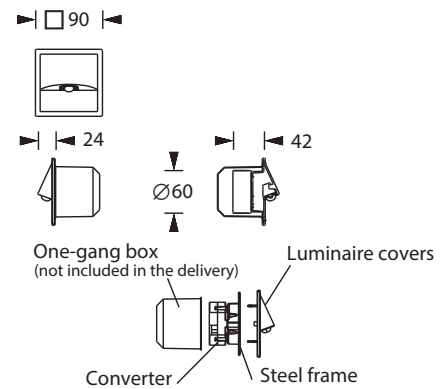
## Accessories

Construction set

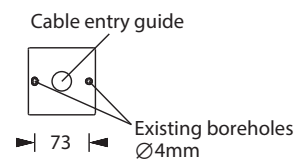


Figure shows accessory

## Wall recessed mounting



85 Construction set

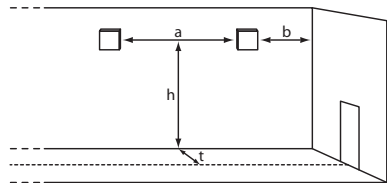


## Use in device boxes

The following device boxes are compatible with the luminaire (not included in the scope of delivery)

Type	Manufacturer	Manufacturer Art. No.	Remarks
One-gang boxes for cavity wall installation	KAISER	6264-22	Or another make with min. 61 mm depth and the same clear inside diameter, ceiling cutout Ø 68 mm
One-gang boxes for flushmounting installation	KAISER	1555-04	Or another make with min. 66 mm depth and the same clear inside diameter, ceiling cutout Ø 60 mm
One-gang boxes for on-side mixed concrete	KAISER	1260-01	Or another make with min. 79 mm depth and the same clear inside diameter, ceiling cutout Ø 60 mm

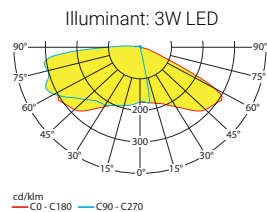
## Lighting data and tables of luminaire distances (E = 1,25 lx)



Wall mounting

### Luminaires for central battery systems **wide area optics**

### Distance table for plane emergency routes / distance data in meters



Luminous flux emergency / mains: 280lm

t =	h	2.00	2.50	3.00	3.50	4.00
1.00	a	9.40	10.90	12.20	13.20	14.00
	b	4.30	4.80	5.10	5.10	5.10
	h	2.00	2.50	3.00	3.50	4.00
2.00	a	9.70	11.25	12.40	13.30	13.90
	b	4.30	4.70	4.70	4.80	4.90
	h	2.00	2.50	3.00	3.50	4.00
3.00	a	9.70	11.00	12.20	12.90	12.90
	b	3.80	4.00	4.20	4.40	4.00

t = distance to escape middle