



SAFE D-4F

Safety luminaire in compliance with EN 60598-1/2-22 and EN 1838.

Weatherproof die-cast aluminum housing with safety glass pane. Version for ceiling mounting with four high-power LEDs and cast acrylic optics for surface illumination. Cable entry into luminaire housing from rear and bottom possible. Luminaire comes standard with IP65 membrane pressure compensation valve.

Optionally, the luminaire can be supplied as a central battery variant for a temperature range down to -35°C (unmonitored).

The single battery variant is also available as a set with external supply unit for indoor installation and luminaire unit for outdoor installation (suitable for a temperature range down to -35°C).

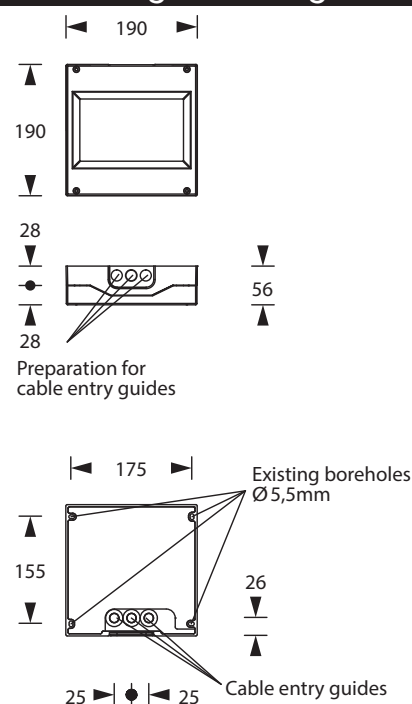
Alternatively, the luminaire is available with battery heater (4.8V 4.2Ah) to extend the temperature range inside the luminaire to -20°C.



Technical specifications

Luminaire type	Luminaires for central battery systems	Self contained luminaires
Illuminant	4 x 3 W LED	4 x 3 W LED
Connecting terminals	3 x 2.5 mm ² for double assignment	
Colour	white	
Material	Aluminum die-cast	
Mounting type	Ceiling mounting	
Dimensions (W x H x D)	DM 190 x 56 x 190 mm	
Protection class	IP65	
Safety class	I	
IK Safety class	IK08	
Light current (mains)	960 lm	960 lm
Light current (emergency)		
Rated operating time 1h	-	580 lm
Rated operating time 3h	-	580 lm
Rated operating time 8h	-	320 lm
Luminous flux		
Emergency (DC) / mains		
Rated operating time 1h	-	60% / 100%
Rated operating time 3h	-	60% / 100%
Rated operating time 8h	-	30% / 100%
Power consumption	19.2 VA	18.7 VA
Battery current input	50 mA	-
Battery duration		
Battery operation	-	1h / 3h / 8h
Voltage supply	230V 50/60Hz; 220V DC +25/-20%	230V 50/60Hz
NiMH-battery		
Rated operating time 1h	-	4,8V 2,0Ah 4,8V 2,0Ah + AkH
Rated operating time 3h	-	4,8V 4,2Ah 4,8V 4,2Ah + AkH
Rated operating time 8h	-	4,8V 4,2Ah 4,8V 4,2Ah + AkH
Temperature range	-10°C to +40°C (monitored) / -20°C to +40°C (unmonitored)	-
Non-maintained mode	-	0°C to +35°C
Maintained mode	-	-5°C to +30°C
optional		
Multi-switch and monitoring module	ELC MSÜ3 SET009 SET010	-
Self monitoring	-	SELF CHECK
Central monitoring	-	SAFELOG Line
Wireless monitoring	-	SAFELOG Wireless

Ceiling mounting



Accessories

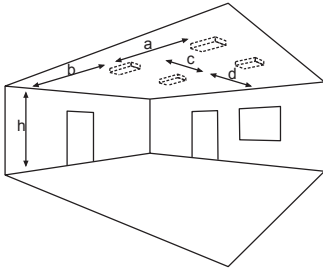
Rear mounting bracket

Pole and wall bracket

Chain assembly set

Cable assembly set

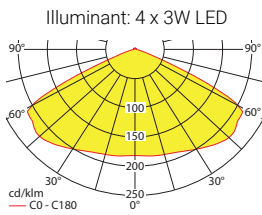
Lighting data and tables of luminaire distances (E = 1,25 lx)



Ceiling mounting

Luminaires for central battery systems wide area optics

Distance table for plane emergency routes / distance data in meters

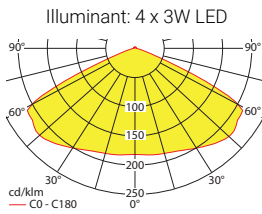


Luminous flux emergency / mains: 960lm

h	2.50	3.00	3.50	4.00	4.50	5.00	5.50	6.00	6.50	7.00	7.50	8.00	8.50	9.00	9.50	10.00	10.50	11.00	11.50
a	12.20	14.00	15.70	17.30	18.70	19.90	21.10	21.80	22.40	22.70	23.00	23.10	23.30	23.40	23.50	23.40	23.30	22.90	22.30
b	5.60	6.40	7.00	7.50	7.90	8.00	8.10	8.20	8.30	8.30	8.20	8.00	7.60	7.10	6.30	5.40	4.40	3.30	1.90
c	12.20	14.00	15.70	17.30	18.70	19.90	21.10	21.80	22.40	22.70	23.00	23.10	23.30	23.40	23.50	23.40	23.30	22.90	22.30
d	5.60	6.40	7.00	7.50	7.90	8.00	8.10	8.20	8.30	8.30	8.20	8.00	7.60	7.10	6.30	5.40	4.40	3.30	1.90

Self contained luminaires wide area optics

Distance table for plane emergency routes / distance data in meters

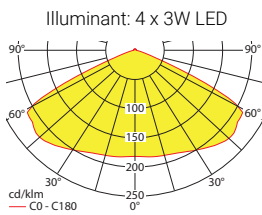


Luminous flux emergency / mains: 580lm/960lm – **Rated operating time: 1h**

h	2.50	3.00	3.50	4.00	4.50	5.00	5.50	6.00	6.50	7.00	7.50	8.00	8.50	9.00
a	11.50	13.10	14.50	15.80	16.70	17.40	17.70	17.90	18.10	18.20	18.20	18.10	17.90	17.30
b	5.20	5.80	6.10	6.30	6.40	6.40	6.40	6.30	6.00	5.50	4.70	3.70	2.70	1.20
c	11.50	13.10	14.50	15.80	16.70	17.40	17.70	17.90	18.10	18.20	18.20	18.10	17.90	17.30
d	5.20	5.80	6.10	6.30	6.40	6.40	6.40	6.30	6.00	5.50	4.70	3.70	2.70	1.20

Self contained luminaires wide area optics

Distance table for plane emergency routes / distance data in meters

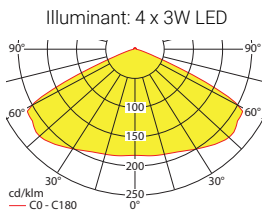


Luminous flux emergency / mains: 580lm/960lm – **Rated operating time: 3h**

h	2.50	3.00	3.50	4.00	4.50	5.00	5.50	6.00	6.50	7.00	7.50	8.00	8.50	9.00
a	11.50	13.10	14.50	15.80	16.70	17.40	17.70	17.90	18.10	18.20	18.20	18.10	17.90	17.30
b	5.20	5.80	6.10	6.30	6.40	6.40	6.40	6.30	6.00	5.50	4.70	3.70	2.70	1.20
c	11.50	13.10	14.50	15.80	16.70	17.40	17.70	17.90	18.10	18.20	18.20	18.10	17.90	17.30
d	5.20	5.80	6.10	6.30	6.40	6.40	6.40	6.30	6.00	5.50	4.70	3.70	2.70	1.20

Self contained luminaires wide area optics

Distance table for plane emergency routes / distance data in meters



Luminous flux emergency / mains: 320lm/960lm – **Rated operating time: 8h**

h	2.50	3.00	3.50	4.00	4.50	5.00	5.50	6.00
a	10.30	11.50	12.20	12.50	12.70	12.80	12.80	12.50
b	4.30	4.40	4.50	4.50	4.30	3.70	2.90	1.90
c	10.30	11.50	12.20	12.50	12.70	12.80	12.80	12.50
d	4.30	4.40	4.50	4.50	4.30	3.70	2.90	1.90