



# INTEGRA ALULINE 170

## Exit luminaire in compliance with EN 60598-1/2-22 and EN 1838.

Elegant and modern exit sign luminaire made of high-quality aluminum for mounting in approved trunking light gear trays. The luminaire can be rotated around its own axis in 30° or 45° increments using the built-in locking mechanism.

For an additional charge, the luminaire can be supplied factory-fitted in trunking light gear trays purchased and machined by us (see table below for details). The luminaire price includes one pictogram foil set - arrow left/right/down/up/blind (Visibility distance 17 m). The 10 mm light deflecting pane is illuminated with a 2 watt LED-bar.

**ATTENTION!** The specified protection class refers to the luminaire (room side) when installed.

**If installed in a gear tray with a different protection class, the lower protection class applies.**

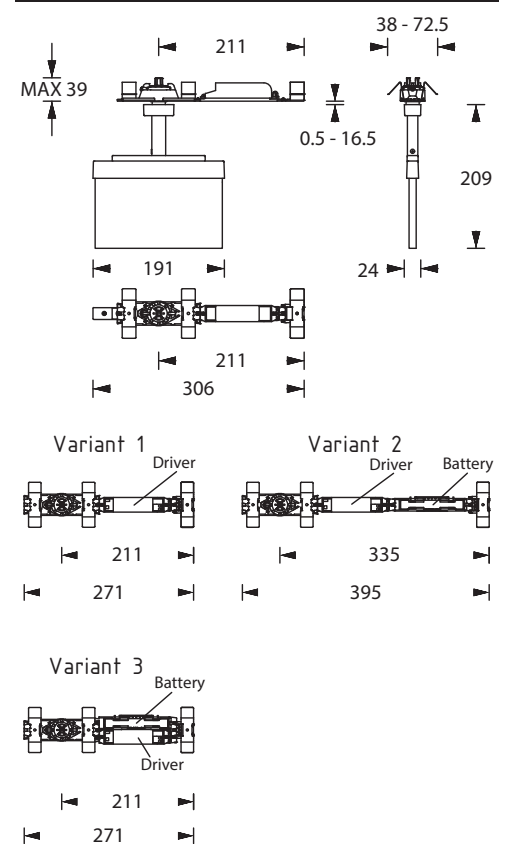


Figure shows accessory

## Technical specifications

Luminaire type	Luminaires for central battery systems	Self contained luminaires
Illuminant	2 W LED-bar	2 W LED-bar
Visibility distance	17 m	
Colour	white / white aluminum	
Material	Aluminum die-cast	
Mounting type	Trunking light mounting	
Dimensions (W x H x D)	191 x 209 x 24 mm	
Dimensions Trunking system intake (W x H x D)	min. 271 x 39 x 38 mm / max. 395 x 39 x 72.5 mm	
Pane dimensions (W x H x D)	185 x 115.5 x 10 mm	
Protection class	IP40	
Safety class	see gear tray	
IK Safety class	IK03	
Light current (mains)	260 lm	260 lm
Luminous flux		
Emergency (DC) / mains		
Rated operating time 1h	-	30% / 100%
Rated operating time 3h	-	30% / 100%
Rated operating time 8h	-	15% / 100%
Power consumption	5.5 VA	5.5 VA
Battery current input	14 mA	-
Battery duration	-	1h / 3h / 8h
Battery operation		
Voltage supply	230V 50/60Hz; 220V DC +25/-20%	230V 50/60Hz
NiMH-battery		
Rated operating time 1h	-	4,8V 0,8Ah
Rated operating time 3h	-	4,8V 0,8Ah
Rated operating time 8h	-	4,8V 0,8Ah
Temperature range	-10°C to +40°C	-
Non-maintained mode	-	0°C to +35°C
Maintained mode	-	-5°C to +30°C
optional		
Multi-switch and monitoring module	ELC MSÜ3 SET009 SET010	-
Self monitoring	-	SELF CHECK
Central monitoring	-	SAFELOG Line
Wireless monitoring	-	SAFELOG Wireless

## Trunking light mounting



## Pictogram-set - included in the delivery



## Use for trunking light systems

The product is currently tested and approved for use in the following trunking light systems:

Manufacturer	Type	Minimum length	Manufacturer Art. No.	Quantity of poles	Remarks
TRILUX	E-LINE NEXT	737 mm	(8337500)	5	compatible and available ex works
SITECO	LICROSS	500 mm	(56TL1M 0-B)	6	compatible and available ex works
SITECO	MODARIO	897 mm	(5TR305SEENDB)	8	compatible and available ex works
RIDI	LINIA	489 mm	(1500153)	11	compatible and available ex works
REGENT	TRAQ	590 mm	(1021.7449)	7	compatible and available ex works

The specified trunking light gear trays have the required minimum length. Longer gear trays are possible if the current collector is positioned accordingly. The product can also be ordered fully assembled and tested (delivery time approx. 4 weeks), please refer to the picture price list for the additional costs.