



BEAM-Q E-2R

Safety luminaire in compliance with EN 60598-1/2-22 and EN 1838.

Almost ceiling-flush aluminium die-cast housing in an appealing design with square hollow of the surface. Easy to handle locking mechanism without screws. Steplessly adjustable clip mechanism for various ceiling thicknesses.

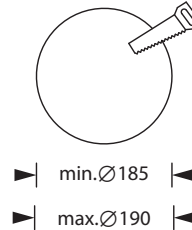
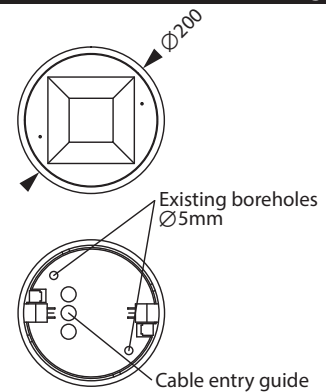
Recessed ceiling-mounted model with 2 high-capacity LEDs and cast acrylics look for escape route lighting by way of rectangular, light-deflecting characteristics.



Technical specifications

Luminaire type	Luminaires for central battery systems	Self contained luminaires
Illuminant	2 x 3 W LED	2 x 3 W LED
Connecting terminals	3 x 2.5 mm ² for double assignment	
Colour	white	
Material	Aluminum die-cast	
Mounting type	Recessed mounting	
Installation depth	103 mm	
Protection class	IP32	
Safety class	I	
IK Safety class	IK03	
Light current (mains)	340 lm	250 lm
Light current (emergency)		
Rated operating time 1h	-	280 lm
Rated operating time 3h	-	280 lm
Luminous flux		
Emergency (DC) / mains		
Rated operating time 1h	-	100% / 90%
Rated operating time 3h	-	100% / 90%
Power consumption	10 VA	8 VA
Battery current input	25 mA	-
Battery duration		1h / 3h
Battery operation		
Voltage supply	230V 50/60Hz; 220V DC +25/-20%	230V 50/60Hz
NiMH-battery		
Rated operating time 1h	-	4,8V 2,0Ah
Rated operating time 3h	-	4,8V 4,2Ah
Temperature range	-10°C to +40°C	-
Non-maintained mode	-	0°C to +35°C
Maintained mode	-	-5°C to +30°C
optional		
Multi-switch and monitoring module	ELC MSÜ3 SET009 SET010	-
Self monitoring	-	SELF CHECK
Central monitoring	-	SAFELOG Line
Wireless monitoring	-	SAFELOG Wireless

Recessed mounting



Accessories

Ceiling frame BEAM E - Aluminum

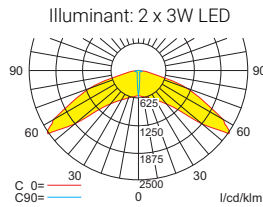
Lighting data and tables of luminaire distances (E = 1,25 lx)



Ceiling mounting

Luminaires for central battery systems escape route optics

Distance table for plane emergency routes / distance data in meters

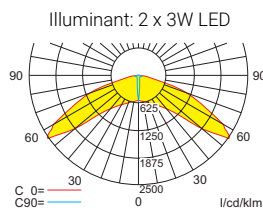


Luminous flux emergency / mains: 340lm

	2.50	3.00	3.50	4.00	4.50	5.00	5.50	6.00	6.50	7.00	7.50	8.00	8.50	9.00	9.50	10.00	10.50	11.00
h	2.50	3.00	3.50	4.00	4.50	5.00	5.50	6.00	6.50	7.00	7.50	8.00	8.50	9.00	9.50	10.00	10.50	11.00
a	-	-	-	-	-	-	-	-	-	-	-	-	-	-	-	-	-	-
b	-	-	-	-	-	-	-	-	-	-	-	-	-	-	-	-	-	-
c	17.60	19.80	21.60	23.60	25.20	26.60	27.90	28.90	30.00	31.00	31.80	33.00	34.20	35.20	36.10	37.10	38.20	39.10
d	7.60	8.60	9.30	10.00	10.50	11.00	11.40	12.00	12.60	13.00	13.50	14.00	14.30	14.70	15.00	15.20	15.40	15.40

Self contained luminaires escape route optics

Distance table for plane emergency routes / distance data in meters

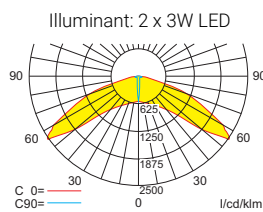


Luminous flux emergency / mains: 280lm/250lm – Rated operating time: 1h

	2.50	3.00	3.50	4.00	4.50	5.00	5.50	6.00	6.50	7.00	7.50	8.00	8.50	9.00	9.50	10.00	10.50	11.00
h	2.50	3.00	3.50	4.00	4.50	5.00	5.50	6.00	6.50	7.00	7.50	8.00	8.50	9.00	9.50	10.00	10.50	11.00
a	-	-	-	-	-	-	-	-	-	-	-	-	-	-	-	-	-	-
b	-	-	-	-	-	-	-	-	-	-	-	-	-	-	-	-	-	-
c	17.20	19.10	21.10	22.90	24.30	25.70	26.70	27.70	28.80	29.50	30.80	32.00	33.00	33.80	35.00	36.00	36.80	37.60
d	7.50	8.30	9.00	9.50	10.10	10.40	11.10	11.60	12.10	12.60	13.10	13.40	13.80	14.10	14.20	14.30	12.90	5.30

Self contained luminaires escape route optics

Distance table for plane emergency routes / distance data in meters



Luminous flux emergency / mains: 280lm/250lm – Rated operating time: 3h

	2.50	3.00	3.50	4.00	4.50	5.00	5.50	6.00	6.50	7.00	7.50	8.00	8.50	9.00	9.50	10.00	10.50	11.00
h	2.50	3.00	3.50	4.00	4.50	5.00	5.50	6.00	6.50	7.00	7.50	8.00	8.50	9.00	9.50	10.00	10.50	11.00
a	-	-	-	-	-	-	-	-	-	-	-	-	-	-	-	-	-	-
b	-	-	-	-	-	-	-	-	-	-	-	-	-	-	-	-	-	-
c	17.20	19.10	21.10	22.90	24.30	25.70	26.70	27.70	28.80	29.50	30.80	32.00	33.00	33.80	35.00	36.00	36.80	37.60
d	7.50	8.30	9.00	9.50	10.10	10.40	11.10	11.60	12.10	12.60	13.10	13.40	13.80	14.10	14.20	14.30	12.90	5.30