



IMPACT A-2T-IP65

Safety luminaire in compliance with EN 60598-1/2-22 and EN 1838.

Very robust, screwed safety luminaire made of white polycarbonate with protection class IP65. Cable entry into luminaire housing at rear and side. Version for ceiling mounting with two 3 W high-power LEDs.

Low beam optics for high ceiling heights. IP65 membrane pressure equalization valve as standard. Optionally, the luminaire can be supplied as a central battery version for a temperature range down to -35°C (unmonitored).

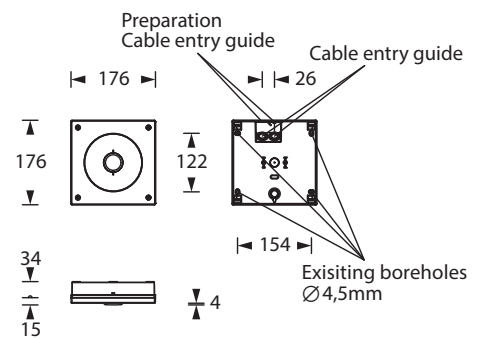
Technical specifications

Luminaire type	Luminaires for central battery systems	Self contained luminaires
Illuminant	2 x 3 W LED	2 x 3 W LED
Connecting terminals	2 x 2.5 mm ² for double assignment	
Colour	white	
Material	Polycarbonate	
Mounting type	Ceiling mounting	
Additional mounting types*	Ceiling mounting (wire suspension), Pendulum mounting	
Dimensions (W x H x D)	DM 176 x 49 x 176 mm	
Protection class	IP65	
Safety class	II	
IK Safety class	IK03	
Light current (mains)	480 lm	360 lm
Light current (emergency)		
Rated operating time 1h	-	480 lm
Rated operating time 3h	-	480 lm
Rated operating time 8h	-	240 lm
Luminous flux		
Emergency (DC) / mains		
Rated operating time 1h	-	100% / 75%
Rated operating time 3h	-	100% / 75%
Rated operating time 8h	-	50% / 75%
Power consumption	10 VA	8 VA
Battery current input	25 mA	-
Battery duration	-	1h / 3h / 8h
Battery operation		
Voltage supply	230V 50/60Hz; 220V DC +25/-20%	230V 50/60Hz
NiMH-battery		
Rated operating time 1h	-	4,8V 2,0Ah 4,8V 2,0Ah + AkH
Rated operating time 3h	-	4,8V 4,2Ah 4,8V 4,2Ah + AkH
Rated operating time 8h	-	4,8V 4,2Ah 4,8V 4,2Ah + AkH
Temperature range	-10°C to +40°C	-
Non-maintained mode	-	0°C to +35°C
Maintained mode	-	-5°C to +30°C
optional		
Multi-switch and monitoring module	ELC MSÜ3 SET009 SET010	-
Self monitoring	-	SELF CHECK
Central monitoring	-	SAFELOG Line
Wireless monitoring	-	SAFELOG Wireless

* Optional accessory required



Ceiling mounting



Accessories

Pole and wall bracket

Chain assembly set

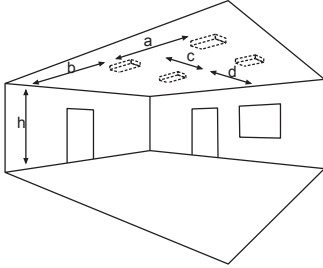
Double pendulum set with long canopy

Central pendulum sets with long canopy

Wire sets with long canopy

Cable assembly set

Lighting data and tables of luminaire distances (E = 1,25 lx)



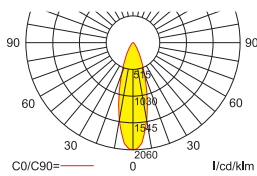
Ceiling mounting

Luminaires for central battery systems **downlight optics**

Distance table for plane emergency routes / distance data in meters

Illuminant: 2 x 3W LED

Luminous flux emergency / mains: 480lm



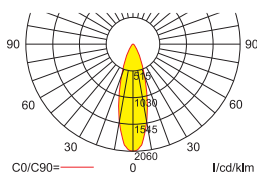
h	7.00	8.00	9.00	10.00	11.00	12.00	13.00	14.00	15.00	16.00	17.00	18.00	19.00	20.00	21.00	22.00	23.00	24.00
a	9.90	10.50	11.00	11.60	12.10	12.40	12.80	13.30	13.40	13.60	13.60	13.90	14.20	14.20	14.20	14.10	13.90	14.00
b	4.10	4.30	4.40	4.70	4.80	4.80	4.90	5.00	5.00	4.90	4.90	4.90	4.80	4.60	4.40	4.20	3.90	3.40
c	9.90	10.50	11.00	11.60	12.10	12.40	12.80	13.30	13.40	13.60	13.60	13.90	14.20	14.20	14.20	14.10	13.90	14.00
d	4.10	4.30	4.40	4.70	4.80	4.80	4.90	5.00	5.00	4.90	4.90	4.90	4.80	4.60	4.40	4.20	3.90	3.40

Self contained luminaires **downlight optics**

Distance table for plane emergency routes / distance data in meters

Illuminant: 2 x 3W LED

Luminous flux emergency / mains: 480lm/360lm – **Rated operating time: 1h**



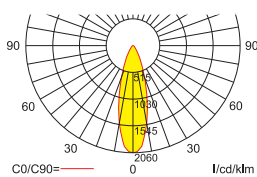
h	7.00	8.00	9.00	10.00	11.00	12.00	13.00	14.00	15.00	16.00	17.00	18.00	19.00	20.00	21.00	22.00	23.00	24.00
a	9.90	10.50	11.00	11.60	12.10	12.40	12.80	13.30	13.40	13.60	13.60	13.90	14.20	14.20	14.20	14.10	13.90	14.00
b	4.10	4.30	4.40	4.70	4.80	4.80	4.90	5.00	5.00	4.90	4.90	4.90	4.80	4.60	4.40	4.20	3.90	3.40
c	9.90	10.50	11.00	11.60	12.10	12.40	12.80	13.30	13.40	13.60	13.60	13.90	14.20	14.20	14.20	14.10	13.90	14.00
d	4.10	4.30	4.40	4.70	4.80	4.80	4.90	5.00	5.00	4.90	4.90	4.90	4.80	4.60	4.40	4.20	3.90	3.40

Self contained luminaires **downlight optics**

Distance table for plane emergency routes / distance data in meters

Illuminant: 2 x 3W LED

Luminous flux emergency / mains: 480lm/360lm – **Rated operating time: 3h**



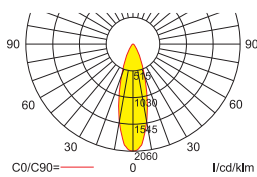
h	7.00	8.00	9.00	10.00	11.00	12.00	13.00	14.00	15.00	16.00	17.00	18.00	19.00	20.00	21.00	22.00	23.00	24.00
a	9.90	10.50	11.00	11.60	12.10	12.40	12.80	13.30	13.40	13.60	13.60	13.90	14.20	14.20	14.20	14.10	13.90	14.00
b	4.10	4.30	4.40	4.70	4.80	4.80	4.90	5.00	5.00	4.90	4.90	4.90	4.80	4.60	4.40	4.20	3.90	3.40
c	9.90	10.50	11.00	11.60	12.10	12.40	12.80	13.30	13.40	13.60	13.60	13.90	14.20	14.20	14.20	14.10	13.90	14.00
d	4.10	4.30	4.40	4.70	4.80	4.80	4.90	5.00	5.00	4.90	4.90	4.90	4.80	4.60	4.40	4.20	3.90	3.40

Self contained luminaires **downlight optics**

Distance table for plane emergency routes / distance data in meters

Illuminant: 2 x 3W LED

Luminous flux emergency / mains: 240lm/360lm – **Rated operating time: 8h**



h	6.00	7.00	8.00	9.00	10.00	11.00	12.00	13.00	14.00	15.00	16.00	17.00	18.00	19.00
a	7.50	8.20	8.60	8.90	9.40	9.60	9.60	9.90	10.00	10.10	9.90	9.90	9.80	9.60
b	3.10	3.30	3.40	3.40	3.50	3.50	3.50	3.50	3.30	3.00	2.90	2.40	1.90	1.00
c	7.50	8.20	8.60	8.90	9.40	9.60	9.60	9.90	10.00	10.10	9.90	9.90	9.80	9.60
d	3.10	3.30	3.40	3.40	3.50	3.50	3.50	3.50	3.30	3.00	2.90	2.40	1.90	1.00