



# L-STAR EQ-F

## Safety luminaire in compliance with EN 60598-1/2-22 and EN 1838.

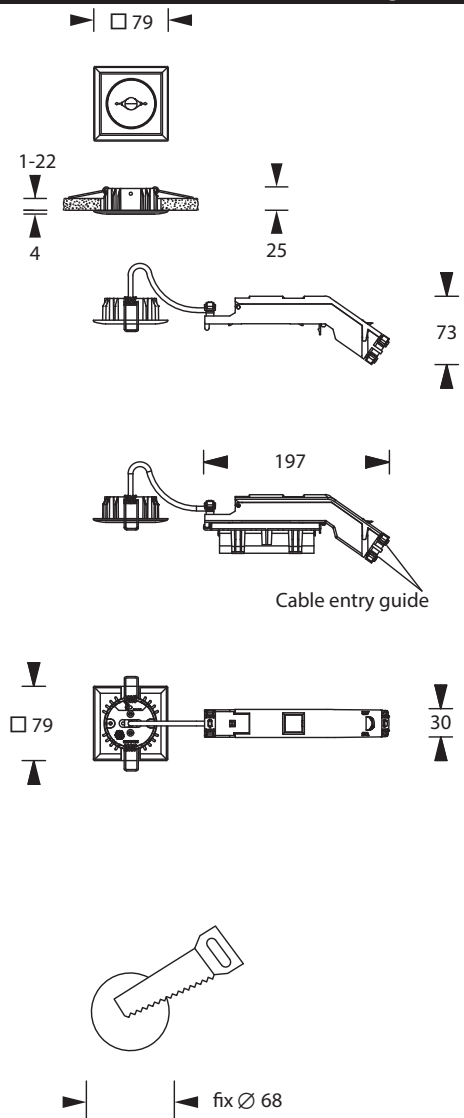
Almost flush mounted housing made of polycarbonate with square cover made of die-cast aluminum, powder coated in white with cast acrylic optics for area illumination. Optics sets with deep beam optics or optics with 5lx can be ordered as accessories. To reduce maintenance costs, the battery in the single-battery version can be replaced without tools using a click system. The luminaire can be installed together with a HaloX® concrete recessed housing.



## Technical specifications

| Luminaire type                     | Luminaires for central battery systems        | Self contained luminaires |
|------------------------------------|---|---------------------------|
| Illuminant                         | 3 W<br>LED                                    | 3 W<br>LED                |
| Connecting terminals               | 2 x 2.5 mm <sup>2</sup> for double assignment |                           |
| Colour                             | white   |                           |
| Material                           | Aluminum die-cast/Polycarbonate               |                           |
| Mounting type                      | Recessed mounting                             |                           |
| Dimensions (W x H x D)             | DE 79 x 29 x 79 mm                            |                           |
| Dimensions Container (W x H x D)   | 197 x 73 x 30 mm                              |                           |
| Ceiling cutout (Ø)                 | 68 mm   |                           |
| Min. installation depth            | 80 mm   |                           |
| Protection class                   | IP20  |                           |
| Safety class                       | II  |                           |
| IK Safety class                    | IK03  |                           |
| Light current (mains)              | 280 lm  | 50 lm                     |
| Light current (emergency)          |   |                           |
| Rated operating time 1h            | -   | 280 lm                    |
| Rated operating time 3h            | -   | 280 lm                    |
| Rated operating time 8h            | -   | 120 lm                    |
| Luminous flux                      |   |                           |
| Emergency (DC) / mains             |   |                           |
| Rated operating time 1h            | -   | 100% / 20%                |
| Rated operating time 3h            | -   | 100% / 20%                |
| Rated operating time 8h            | -   | 45% / 20%                 |
| Power consumption                  | 6 VA  | 5 VA                      |
| Battery current input              | 15 mA   | -                         |
| Battery duration                   | -   | 1h / 3h / 8h              |
| Battery operation                  |   |                           |
| Voltage supply                     | 230V 50/60Hz;<br>220V DC +25/-20%             | 230V 50/60Hz              |
| NiMH-battery                       |   |                           |
| Rated operating time 1h            | -   | 4,8V 2,0Ah                |
| Rated operating time 3h            | -   | 4,8V 2,0Ah                |
| Rated operating time 8h            | -   | 4,8V 2,0Ah                |
| Temperature range                  | -10°C to +40°C                                | -                         |
| Non-maintained mode                | -   | 0°C to +35°C              |
| Maintained mode                    | -   | -5°C to +30°C             |
| optional                           |   |                           |
| Multi-switch and monitoring module | ELC<br>MSÜ3<br>SET009<br>SET010               | -                         |
| Self monitoring                    | -   | SELF CHECK                |
| Central monitoring                 | -   | SAFELOG Line              |
| Wireless monitoring                | -   | SAFELOG Wireless          |

## Recessed mounting



Attention: Minimum installation depth 80mm

## Accessories

Universal cover plate

5lx-optics accessories-set

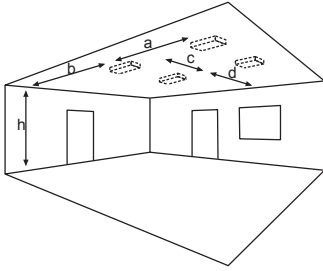
Downlight-optics accessories-set

## Use in device boxes

The following device boxes are compatible with the luminaire (not included in the scope of delivery)

| Type  | Manufacturer | Manufacturer Art. No. | Remarks   |
|---|--------------|-----------------------|---|
| Concrete installation housings for on-side mixed concrete | KAISER       | 1281-00               | HALOX 100 with tunnel 190 KAISER Art. No. 1281-30 with e.g. cover KAISER Art. No. 1281-03 |
| Concrete installation housings for on-side mixed concrete | KAISER       | 1282-00               | HALOX 180 with tunnel 190 KAISER Art. No. 1282-30 with e.g. cover KAISER Art. No. 1282-10 |

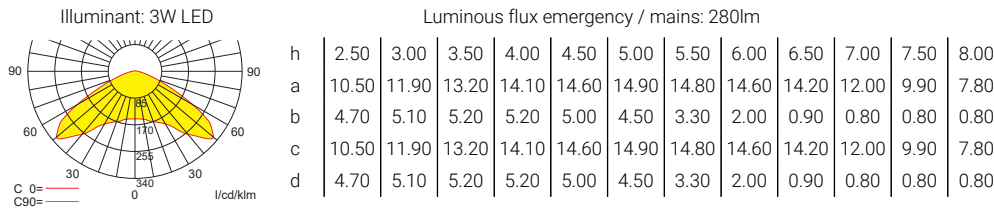
## Lighting data and tables of luminaire distances (E = 1,25 lx)



Ceiling mounting

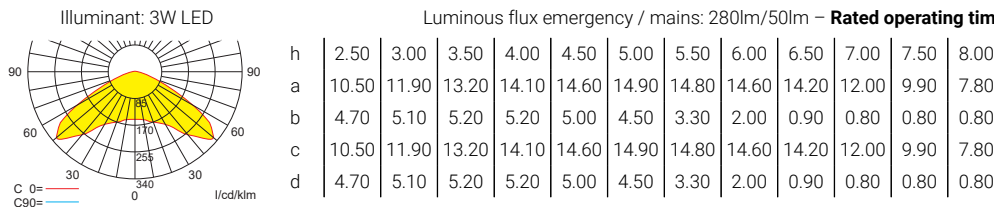
### Luminaires for central battery systems wide area optics

Distance table for plane emergency routes / distance data in meters



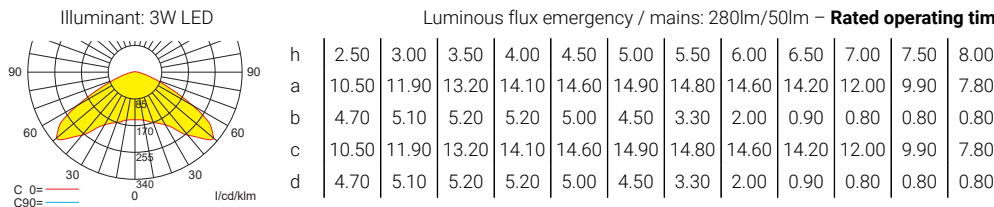
### Self contained luminaires wide area optics

Distance table for plane emergency routes / distance data in meters



### Self contained luminaires wide area optics

Distance table for plane emergency routes / distance data in meters



### Self contained luminaires wide area optics

Distance table for plane emergency routes / distance data in meters

