



BEAM-Q AC-2F

Safety luminaire in compliance with EN 60598-1/2-22 and EN 1838.

Extremely flat aluminium die-cast casing in an appealing design with square hollow of the surface.

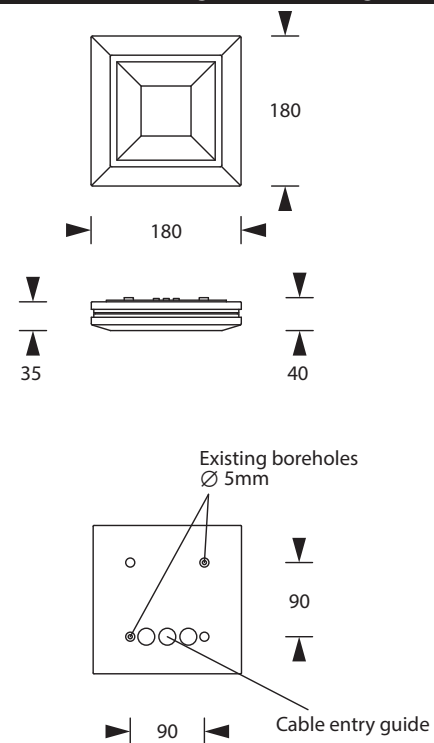
Easy to handle locking mechanism without screws. Ceiling-mounted model with 2 high-capacity LEDs and cast acrylics look for wide area lighting by way of circular, light-deflecting characteristics.

Technical specifications

Luminaire type	Luminaires for central battery systems	Self contained luminaires
Illuminant	2 x 3 W LED	2 x 3 W LED
Connecting terminals	3 x 2.5 mm ² for double assignment	
Colour	white	
Material	Aluminum die-cast	
Mounting type	Ceiling mounting	
Dimensions (W x H x D)	DM 180 x 35 x 180 mm	
Protection class	IP40	
Safety class	I	
IK Safety class	IK03	
Light current (mains)	340 lm	250 lm
Light current (emergency)		
Rated operating time 1h	-	280 lm
Rated operating time 3h	-	280 lm
Luminous flux		
Emergency (DC) / mains		
Rated operating time 1h	-	100% / 90%
Rated operating time 3h	-	100% / 90%
Power consumption	10 VA	8 VA
Battery current input	25 mA	-
Battery duration		1h / 3h
Battery operation		
Voltage supply	230V 50/60Hz; 220V DC +25/-20%	230V 50/60Hz
NiMH-battery		
Rated operating time 1h	-	4,8V 2,0Ah
Rated operating time 3h	-	4,8V 4,2Ah
Temperature range	-10°C to +40°C	-
Non-maintained mode	-	0°C to +35°C
Maintained mode	-	-5°C to +30°C
optional		
Multi-switch and monitoring module	DALI ELC MSÜ3 SET009 SET010	-
Self monitoring	-	SELF CHECK
Central monitoring	-	SAFELOG Line
Wireless monitoring	-	SAFELOG Wireless



Ceiling mounting



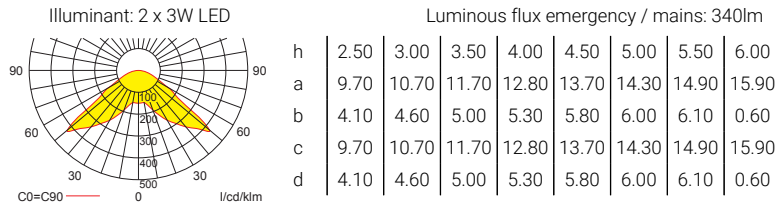
Lighting data and tables of luminaire distances (E = 1,25 lx)



Ceiling mounting

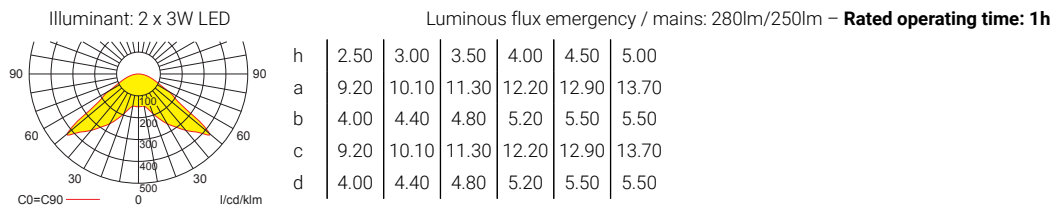
Luminaires for central battery systems **wide area optics**

Distance table for plane emergency routes / distance data in meters



Self contained luminaires **wide area optics**

Distance table for plane emergency routes / distance data in meters



Self contained luminaires **wide area optics**

Distance table for plane emergency routes / distance data in meters

