

SMARTLINE E200-S DE

Exit luminaire in compliance with EN 60598-1/2-22 and EN 1838.

Almost ceiling-flush recessed housing made of sheet steel with plug-in cover plate made of die-cast aluminum, powder-coated in white. Infinitely adjustable clamping mechanism for adaptation to different ceiling thicknesses.

Available as recessed ceiling mount with 10 mm light deflecting pane and interchangeable pictograms. The luminaire price includes one pictogram foil set - arrow left/right/down/up/blind (Visibility distance 23 m).

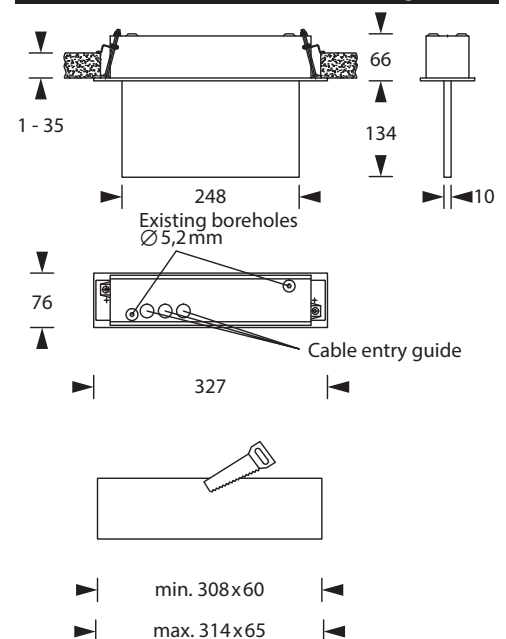
The luminaire is available with a 1 Watt or 2 Watt LED-bar.



Technical specifications

Luminaire type	Luminaires for central battery systems		Self contained luminaires	
	1 W LED-bar	2 W LED-bar	1 W LED-bar	2 W LED-bar
Illuminant	1 W LED-bar	2 W LED-bar	1 W LED-bar	2 W LED-bar
Visibility distance	23 m			
Connecting terminals	3 x 2.5 mm ² for double assignment			
Colour	white			
Material	Steel plate/Aluminum die-cast			
Mounting type	Recessed mounting			
Dimensions (W x H x D)	DE 327 x 200 x 76 mm			
Pane dimensions (W x H x D)	248 x 148 x 10 mm			
Dimensions ceiling cutout (L x W)	min. 308 x 60 mm / max. 314 x 65 mm			
Protection class	IP40			
Safety class	I			
IK Safety class	IK03			
Light current (mains)	130 lm	260 lm	130 lm	260 lm
Luminous flux				
Emergency (DC) / mains				
Rated operating time 1h	-	-	50% / 100%	30% / 100%
Rated operating time 3h	-	-	50% / 100%	30% / 100%
Rated operating time 8h	-	-	25% / 100%	15% / 100%
Power consumption	4.5 VA	5.5 VA	4.5 VA	5.5 VA
Battery current input	11 mA	14 mA	-	-
Battery duration				
Battery operation	-		1h / 3h / 8h	
Voltage supply	230V 50/60Hz; 220V DC +25/-20%		230V 50/60Hz	
NiMH-battery				
Rated operating time 1h	-	-	4,8V 0,8Ah	4,8V 0,8Ah
Rated operating time 3h	-	-	4,8V 0,8Ah	4,8V 0,8Ah
Rated operating time 8h	-	-	4,8V 0,8Ah	4,8V 0,8Ah
Temperature range	-10°C to +40°C		-	
Non-maintained mode	-		0°C to +35°C	
Maintained mode	-		-5°C to +30°C	
optional				
Multi-switch and monitoring module	DALI ELC MSÜ3 SET009 SET010		-	
Self monitoring	-		SELF CHECK	
Central monitoring	-		SAFELOG Line	
Wireless monitoring	-		SAFELOG Wireless	

Recessed mounting



Pictogram-set - included in the delivery



Accessories

Cement assembly box

Pictograms
