



SMARTLUX 200 TWIN 5lx DM

Multi-purpose luminaire in compliance with EN 60598-1/2-22 and EN 1838.

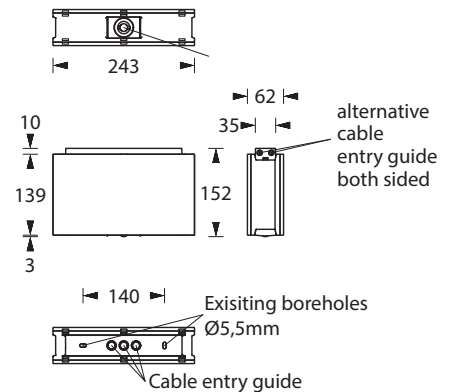
Combined escape sign and 5lx safety luminaire. The emergency luminaire is supplied with two different optics, which can be easily exchanged depending on the application thanks to the click system. The robust polycarbonate luminaire is screwless for quick installation. A single special pictogram with symbol according to ISO 7010 or optionally a pictogram set - arrow left/right/down/up/blind (visibility distance 23 m) is included with the luminaire free of charge. Please select this from the listing and specify it when ordering. The escape sign luminaire is equipped with a 2 Watt LED-bar, the emergency luminaire has a 1 x 3 W power LED. Despite the combination of two types of luminaires, this luminaire is only a single luminaire. Therefore, it is also counted as only one luminaire in the circuit. The spot optic for illumination from above is pre-mounted, the 20 degree tilted optic for illumination according to EN 1838 is enclosed.



Technical specifications

Luminaire type	Luminaires for central battery systems	Self contained luminaires
Illuminant	2 W LED-bar	2 W LED-bar
Illuminant safety modul	3W LED	3W LED
Visibility distance	23 m	
Connecting terminals	2 x 2.5 mm ² for double assignment	
Colour	white	
Material	Polycarbonate (light cover clear)	
Mounting type	Ceiling mounting	
Additional mounting types*	wall bracket mounting, Ceiling mounting (wire suspension), Pendulum mounting	
Dimensions (W x H x D)	DM 243 x 152 x 62 mm	
Protection class	IP43	
Safety class	II	
IK Safety class	IK03	
Light current (mains)	240 lm	240 lm
Luminous flux Emergency (DC) / mains		
Rated operating time 1h	-	30% / 100%
Rated operating time 3h	-	30% / 100%
Rated operating time 8h	-	15% / 100%
Light (Net) current safety module	190 lm	-
Light current (Emergency) safety module		
Rated operating time 1h	-	190 lm
Rated operating time 3h	-	190 lm
Rated operating time 8h	-	80 lm
Luminous flux Emergency (DC) / mains safety module		
Rated operating time 1h	-	100% / 0%
Rated operating time 3h	-	100% / 0%
Rated operating time 8h	-	42% / 0%
Power consumption	11.5 VA	10.5 VA
Battery current input	29 mA	-
Battery duration	-	1h / 3h / 8h
Battery operation		
Voltage supply	230V 50/60Hz; 220V DC +25/-20%	230V 50/60Hz
NiMH-battery		
Rated operating time 1h	-	4,8V 2,0Ah
Rated operating time 3h	-	4,8V 2,0Ah
Rated operating time 8h	-	4,8V 2,0Ah
Temperature range	-10°C to +40°C	-

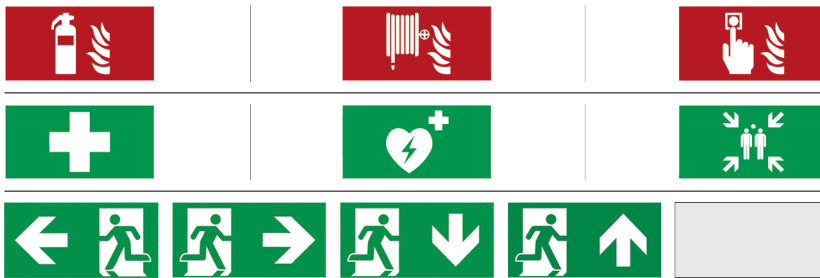
Ceiling mounting



Non-maintained mode	-	0°C to +35°C
Maintained mode	-	-5°C to +30°C
Circuit options		
Pictogram	maintained mode DS	DS / BS switchable
Safety modul	maintained mode DS (no monitoring), DS / BS switchable (with monitoring module)	non-maintained mode BS
optional		
Multi-switch and monitoring module	ELC MSÜ3 SET009 SET010	-
Self monitoring	-	SELF CHECK
Central monitoring	-	SAFELOG Line
Wireless monitoring	-	SAFELOG Wireless

* Optional accessory required

Pictograms to choose from - please specify when ordering



Optional pictograms (-sets)



Accessories

Universal cover plate

Chain assembly set

Central pendulum - Plastic

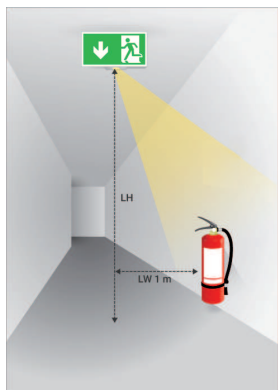
Cable assembly set

Wall bracket

Pictograms

Lighting datas and graphics of luminaire distances (E = 5.00 lx)

20 degree inclined optic



Ceiling mounting

The 20 degree inclined optic was constructed to meet the needs of the special demands according to EN 1838 in regards to illumination of firefighting equipment and safety devices like fire extinguishers, fire alarm and first aid devices with 5lx. The space between the luminaire and the object which has to be illuminated is max. 1 m.

