



E-LINE 200 BEL-R DE

Safety luminaire in compliance with EN 60598-1/2-22 and EN 1838.

Simple IP54 safety luminaire made of polycarbonate in white or black with clear cover. Screwless, easy-to-use locking mechanism. The luminaire can be used for recessed ceiling mounting and is equipped with optics for escape route illumination. The luminaire is equipped with a 2 Watt LED bar.

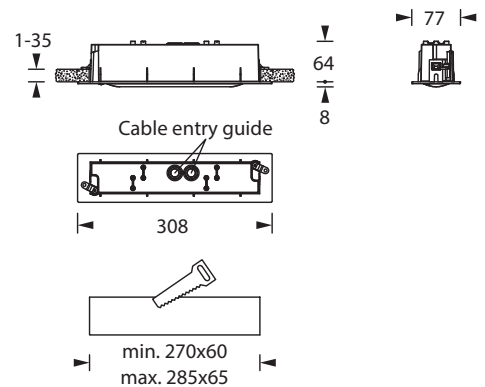


Technical specifications

Luminaire type	Luminaires for central battery systems	Self contained luminaires
Illuminant	2 W LED-bar	2 W LED-bar
Connecting terminals	2 x 2.5 mm ² for double assignment	
Colour	white / black	
Material	Polycarbonate (light cover clear)	
Mounting type	Recessed mounting	
Additional mounting types*	Wall mounting, Ceiling mounting	
Dimensions (W x H x D)	DE 308 x 72 x 77 mm	
Dimensions ceiling cutout (L x W)	min. 270 x 60 mm / max. 285 x 65 mm	
Installation depth	94 mm	
Protection class	IP54	
Safety class	II	
IK Safety class	IK03	
Light current (mains)	240 lm	240 lm
Light current (emergency)		
Rated operating time 1h	-	240 lm
Rated operating time 3h	-	240 lm
Rated operating time 8h	-	110 lm
Luminous flux		
Emergency (DC) / mains		
Rated operating time 1h	-	100% / 100%
Rated operating time 3h	-	100% / 100%
Rated operating time 8h	-	45% / 100%
Power consumption	5.5 VA	5.5 VA
Battery current input	14 mA	-
Battery duration	-	1h / 3h / 8h
Battery operation		
Voltage supply	230V 50/60Hz; 220V DC +25/-20%	230V 50/60Hz
NiMH-battery		
Rated operating time 1h	-	4,8V 2,0Ah
Rated operating time 3h	-	4,8V 2,0Ah
Rated operating time 8h	-	4,8V 2,0Ah
Temperature range	-10°C to +40°C	-
Non-maintained mode	-	0°C to +35°C
Maintained mode	-	-5°C to +30°C
optional		
Multi-switch and monitoring module	ELC MSÜ3 SET009 SET010	-
Self monitoring	-	SELF CHECK
Central monitoring	-	SAFELOG Line
Wireless monitoring	-	SAFELOG Wireless

* Optional accessory required

Recessed mounting

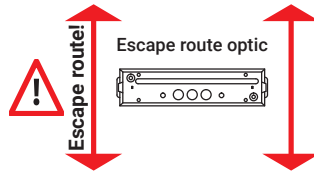


Accessories

Wire guard

Ceiling mounting set - E-LINE 200

Lighting data and tables of luminaire distances (E = 1,25 lx)

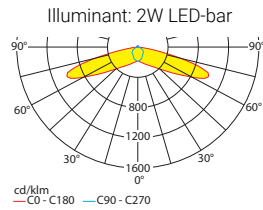


Ceiling mounting

Mounting direction

Luminaires for central battery systems **escape route optics**

Distance table for plane emergency routes / distance data in meters

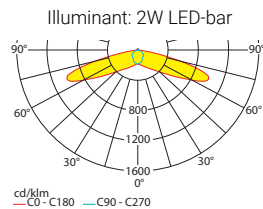


Luminous flux emergency / mains: 240lm

h	2.50	3.00	3.50	4.00	4.50	5.00	5.50	6.00	6.50	7.00
a	-	-	-	-	-	-	-	-	-	-
b	-	-	-	-	-	-	-	-	-	-
c	17.10	19.00	20.40	21.60	22.30	22.70	22.50	22.10	19.50	15.00
d	7.20	7.80	8.00	7.90	7.20	6.10	4.60	4.30	3.50	3.00

Self contained luminaires **escape route optics**

Distance table for plane emergency routes / distance data in meters

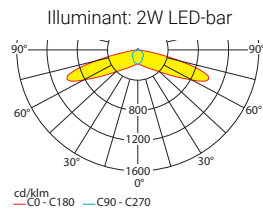


Luminous flux emergency / mains: 240lm/240lm – **Rated operating time: 1h**

h	2.50	3.00	3.50	4.00	4.50	5.00	5.50	6.00	6.50	7.00
a	-	-	-	-	-	-	-	-	-	-
b	-	-	-	-	-	-	-	-	-	-
c	17.10	19.00	20.40	21.60	22.30	22.70	22.50	22.10	19.50	15.00
d	7.20	7.80	8.00	7.90	7.20	6.10	4.60	4.30	3.50	3.00

Self contained luminaires **escape route optics**

Distance table for plane emergency routes / distance data in meters

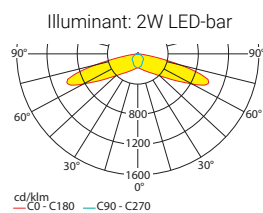


Luminous flux emergency / mains: 240lm/240lm – **Rated operating time: 3h**

h	2.50	3.00	3.50	4.00	4.50	5.00	5.50	6.00	6.50	7.00
a	-	-	-	-	-	-	-	-	-	-
b	-	-	-	-	-	-	-	-	-	-
c	17.10	19.00	20.40	21.60	22.30	22.70	22.50	22.10	19.50	15.00
d	7.20	7.80	8.00	7.90	7.20	6.10	4.60	4.30	3.50	3.00

Self contained luminaires **escape route optics**

Distance table for plane emergency routes / distance data in meters



Luminous flux emergency / mains: 110lm/240lm – **Rated operating time: 8h**

h	2.50	3.00	3.50	4.00
a	-	-	-	-
b	-	-	-	-
c	14.00	14.80	15.00	13.50
d	5.30	4.70	3.50	3.00