



# SMARTLUX 300 DM

## Exit luminaire in compliance with EN 60598-1/2-22 and EN 1838.

Elegant, modern IP54 escape sign luminaire made of white polycarbonate with clear cover and simple, screwless mounting by click system.

Luminaire for pictograms on both sides for ceiling mounting.

The luminaire price includes one pictogram foil set - arrow left/right/down/up/blind (Visibility distance 30 m).

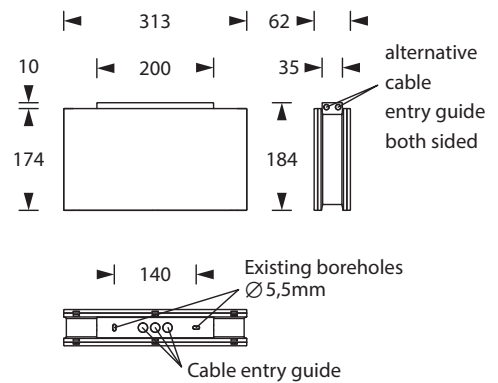
The luminaire is equipped with a 3 Watt LED-bar.

## Technical specifications

Luminaire type	Luminaires for central battery systems	Self contained luminaires
Illuminant	3 W LED-bar	3 W LED-bar
Visibility distance	30 m	
Connecting terminals	2 x 2.5 mm <sup>2</sup> for double assignment	
Colour	white	
Material	Polycarbonate (light cover clear)	
Mounting type	Ceiling mounting	
Dimensions (W x H x D)	DM 313 x 184 x 62 mm	
Protection class	IP54	
Safety class	II	
IK Safety class	IK03	
Light current (mains)	350 lm	350 lm
Luminous flux		
Emergency (DC) / mains		
Rated operating time 1h	-	20% / 100%
Rated operating time 3h	-	20% / 100%
Rated operating time 8h	-	10% / 100%
Power consumption	6 VA	6 VA
Battery current input	19 mA	-
Battery duration	-	1h / 3h / 8h
Battery operation		
Voltage supply	230V 50/60Hz; 220V DC +25/-20%	230V 50/60Hz
NiMH-battery		
Rated operating time 1h	-	4,8V 0,8Ah
Rated operating time 3h	-	4,8V 0,8Ah
Rated operating time 8h	-	4,8V 0,8Ah
Temperature range	-10°C to +40°C	-
Non-maintained mode	-	0°C to +35°C
Maintained mode	-	-5°C to +30°C
optional		
Multi-switch and monitoring module	DALI ELC MSÜ3 SET009 SET010	-
Self monitoring	-	SELF CHECK
Central monitoring	-	SAFELOG Line
Wireless monitoring	-	SAFELOG Wireless



## Ceiling mounting



### Pictogram-set - included in the delivery



### Optional pictograms (-sets)



### Accessories

Universal cover plate

Chain assembly set

Central pendulum - Plastic

Cable assembly set

Wall bracket

Pictograms