



L-PLAST 250-T UM

Exit luminaire in compliance with EN 60598-1/2-22 and EN 1838.

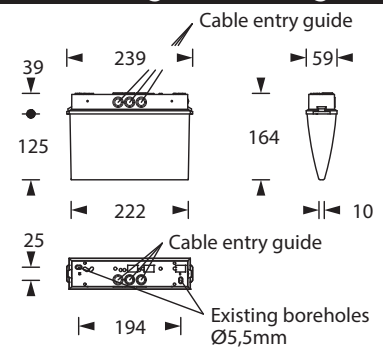
Polycarbonate housing with transparent luminaire cover for insertable pictograms on both sides for wall or ceiling mounting. Possibility for recessed ceiling mounting with optional recessed ceiling frame. The luminaire price includes one pictogramfoil set - arrow left/right/down/up/blind (Visibility distance 22 m). The luminaire is supplied with a 1 Watt LED-bar.

Technical specifications

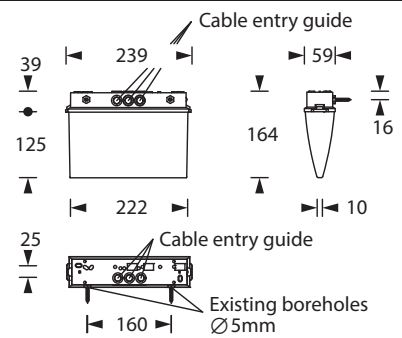
Luminaire type	Luminaires for central battery systems	Self contained luminaires
Illuminant	1 W LED-bar	1 W LED-bar
Visibility distance	22 m	
Connecting terminals	2 x 2.5 mm ² for double assignment	
Colour	white	
Material	Polycarbonate (light cover clear)	
Mounting type	Wall-/ceiling mounting	
Dimensions (W x H x D)	WM/DM 239 x 164 x 59 mm DE 282 x 35 x 88 mm	
Protection class	IP54	
Safety class	II	
IK Safety class	IK03	
Light current (mains)	130 lm	130 lm
Luminous flux		
Emergency (DC) / mains		
Rated operating time 1h	-	50% / 100%
Rated operating time 3h	-	50% / 100%
Rated operating time 8h	-	25% / 100%
Power consumption	4.5 VA	4.5 VA
Battery current input	11 mA	-
Battery duration	-	1h / 3h / 8h
Battery operation		
Voltage supply	230V 50/60Hz; 220V DC +25/-20%	230V 50/60Hz
NiMH-battery		
Rated operating time 1h	-	4,8V 0,8Ah
Rated operating time 3h	-	4,8V 0,8Ah
Rated operating time 8h	-	4,8V 0,8Ah
Temperature range	-10°C to +40°C	-
Non-maintained mode	-	0°C to +35°C
Maintained mode	-	-5°C to +30°C
optional		
Multi-switch and monitoring module	ELC MSÜ3 SET009 SET010	-
Self monitoring	-	SELF CHECK
Central monitoring	-	SAFELOG Line
Wireless monitoring	-	SAFELOG Wireless



Ceiling mounting



Wall mounting



Pictogram-set - included in the delivery



Accessories

Wire guard

Recessed ceiling frame - clampable

Chain assembly set

Central pendulum - Plastic

Cable assembly set

Pictograms
