



# STAIR-LIGHT W

## Safety luminaire in compliance with EN 60598-1/2-22 and EN 1838.

Almost wall-flush luminaire body made of die-cast aluminum, powder-coated in black, rectangular design for recessed wall or step mounting.

The luminaire body is equipped with a high-power LED module and can be inserted into a concrete recessed box.

Can be used as an exit sign luminaire with an optional pictogram set for a viewing distance of 10 meters.

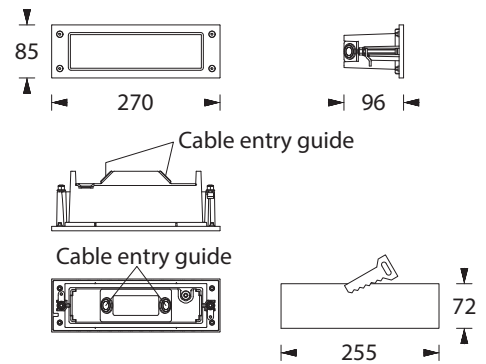
## Technical specifications

Luminaire type	Luminaires for central battery systems
Illuminant	2 W LED-bar
Visibility distance	10 m
Connecting terminals	3 x 2.5 mm <sup>2</sup> for double assignment
Colour	black
Material	Aluminum die-cast
Mounting type	Wall/step recessed mounting
Dimensions (W x H x D)	WE 270 x 85 x 96 mm
Dimensions wall cutout (L x W)	255 x 72 mm
Installation depth	124 mm
Protection class	IP65
Safety class	I
IK Safety class	IK07
Light current (mains)	260 lm
Power consumption	5.5 VA
Battery current input	14 mA
Voltage supply	230V 50/60Hz; 220V DC +25/-20%
Temperature range	-10°C to +40°C
optional	
	DALI
	ELC
Multi-switch and monitoring module	MSÜ3
	SET009
	SET010



Figure shows accessory

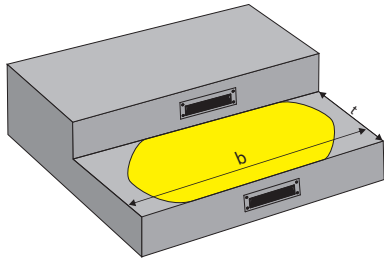
## Wall-/step recessed mounting



## Accessories

- Cement assembly box
- Pressure compensation valve
- Pictograms

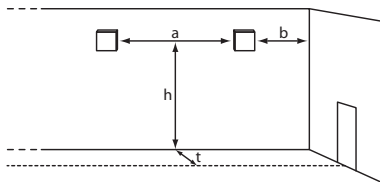
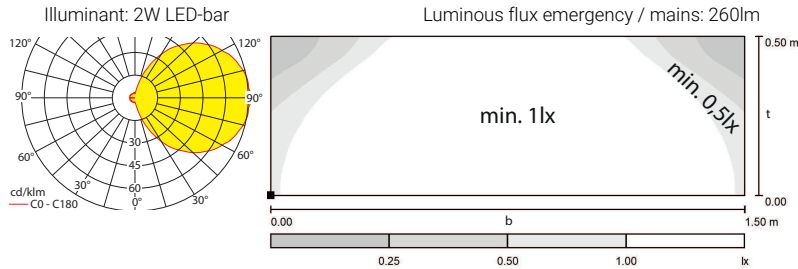
## Lighting data and tables of luminaire distances (E = 1,25 lx)



Step mounting

### Luminaires for central battery systems

Distance table for plane emergency routes / distance data in meters



Wall mounting

### Luminaires for central battery systems **Wide area illumination**

Distance table for plane emergency routes / distance data in meters

