



WALL-STAR EQ-R

Safety luminaire in compliance with EN 60598-1/2-22 and EN 1838.

Almost wall-flush luminaire body made of die-cast aluminum, powder-coated in white in square design for installation in device boxes with optics for escape route illumination.

A square surface-mounted housing for wall surface mounting is available as an option.

Technical specifications

Luminaire type	Luminaires for central battery systems
Illuminant	3 W LED
Connecting terminals	2 x 2.5 mm ² for double assignment
Colour	white
Material	Aluminum die-cast
Mounting type	Wall recessed mounting
Additional mounting types*	Wall mounting
Dimensions (W x H x D)	WE 90 x 24 x 90 mm
Protection class	IP40
Safety class	II
IK Safety class	IK03
Light current (mains)	280 lm
Power consumption	6 VA
Battery current input	15 mA
Voltage supply	230V 50/60Hz; 220V DC +25/-20%
Temperature range	-10°C to +40°C
optional	
Multi-switch and monitoring module	ELC MSÜ3 SET010

* Optional accessory required

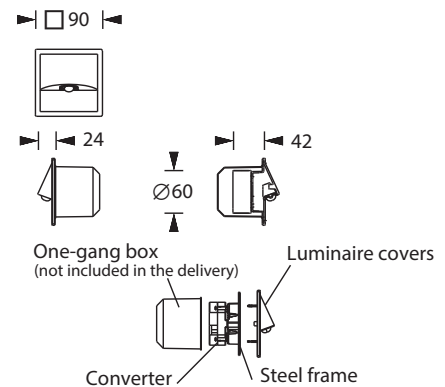
Accessories

Construction set

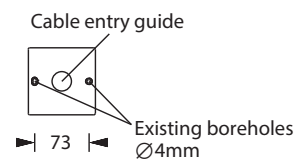


Figure shows accessory

Wall recessed mounting



85 Construction set

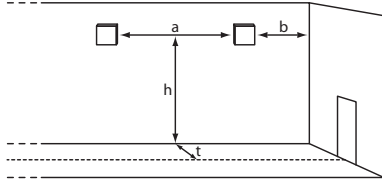


Use in device boxes

The following device boxes are compatible with the luminaire (not included in the scope of delivery)

Type	Manufacturer	Manufacturer Art. No.	Remarks
One-gang boxes for cavity wall installation	KAISER	6264-22	Or another make with min. 61 mm depth and the same clear inside diameter, ceiling cutout Ø 68 mm
One-gang boxes for flushmounting installation	KAISER	1555-04	Or another make with min. 66 mm depth and the same clear inside diameter, ceiling cutout Ø 60 mm
One-gang boxes for on-side mixed concrete	KAISER	1260-01	Or another make with min. 79 mm depth and the same clear inside diameter, ceiling cutout Ø 60 mm

Lighting data and tables of luminaire distances (E = 1,25 lx)



Wall mounting

Luminaires for central battery systems **escape route optics**

Distance table for plane emergency routes / distance data in meters

