



IMPACT W-2F

Safety luminaire in compliance with EN 60598-1/2-22 and EN 1838.

Very robust, screwed safety luminaire made of white polycarbonate with protection class IP65. Cable entry into the luminaire housing at the back and bottom. Version for wall mounting with two 3W high-power LEDs.

Optics for area illumination. IP65 membrane pressure equalization valve as standard. Optionally, the luminaire can be supplied as a central battery variant for a temperature range down to -35°C (unmonitored). In the single battery variant, the luminaire is optionally available as a set with external supply unit for indoor mounting and luminaire unit for outdoor mounting.

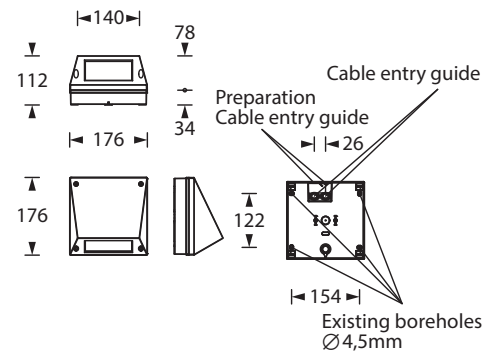
Also optional: built-in heating container with battery (4.8V 4.2Ah) to extend the temperature range in the luminaire to -20°C.



Technical specifications

Luminaire type	Luminaires for central battery systems	Self contained luminaires
Illuminant	2 x 3 W LED	2 x 3 W LED
Connecting terminals	2 x 2.5 mm ² for double assignment	
Colour	white	
Material	Polycarbonate	
Mounting type	Wall mounting	
Dimensions (W x H x D)	WM 176 x 176 x 112 mm	
Protection class	IP65	
Safety class	II	
IK Safety class	IK03	
Light current (mains)	480 lm	360 lm
Light current (emergency)		
Rated operating time 1h	-	480 lm
Rated operating time 3h	-	480 lm
Rated operating time 8h	-	240 lm
Luminous flux		
Emergency (DC) / mains		
Rated operating time 1h	-	100% / 75%
Rated operating time 3h	-	100% / 75%
Rated operating time 8h	-	50% / 75%
Power consumption	10 VA	8 VA
Battery current input	25 mA	-
Battery duration	-	1h / 3h / 8h
Battery operation		
Voltage supply	230V 50/60Hz; 220V DC +25/-20%	230V 50/60Hz
NiMH-battery		
Rated operating time 1h	-	4,8V 2,0Ah 4,8V 2,0Ah + AkH
Rated operating time 3h	-	4,8V 4,2Ah 4,8V 4,2Ah + AkH
Rated operating time 8h	-	4,8V 4,2Ah 4,8V 4,2Ah + AkH
Temperature range	-10°C to +40°C	-
Non-maintained mode	-	0°C to +35°C
Maintained mode	-	-5°C to +30°C
optional		
Multi-switch and monitoring module	ELC MSÜ3 SET009 SET010	-
Self monitoring	-	SELF CHECK
Central monitoring	-	SAFELOG Line
Wireless monitoring	-	SAFELOG Wireless

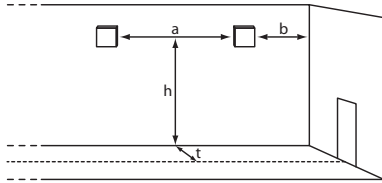
Wall mounting



Accessories

Pole and wall bracket

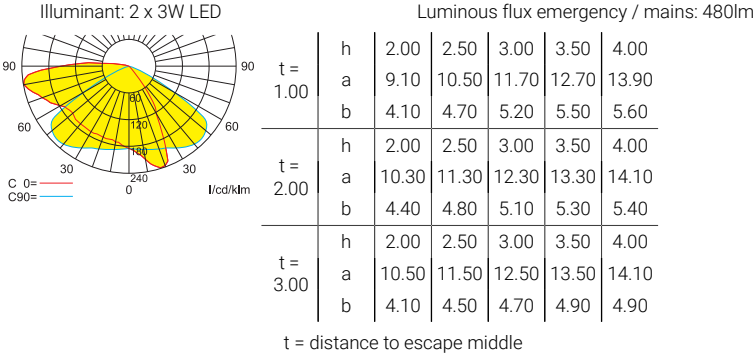
Lighting data and tables of luminaire distances (E = 1,25 lx)



Wall mounting

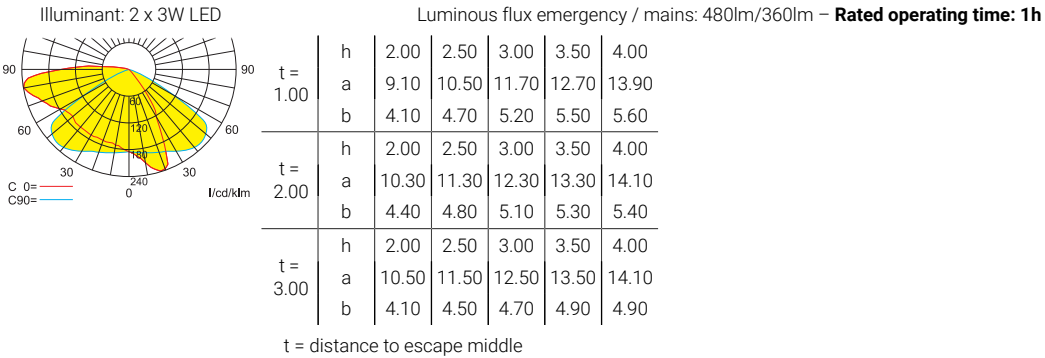
Luminaires for central battery systems wide area optics

Distance table for plane emergency routes / distance data in meters



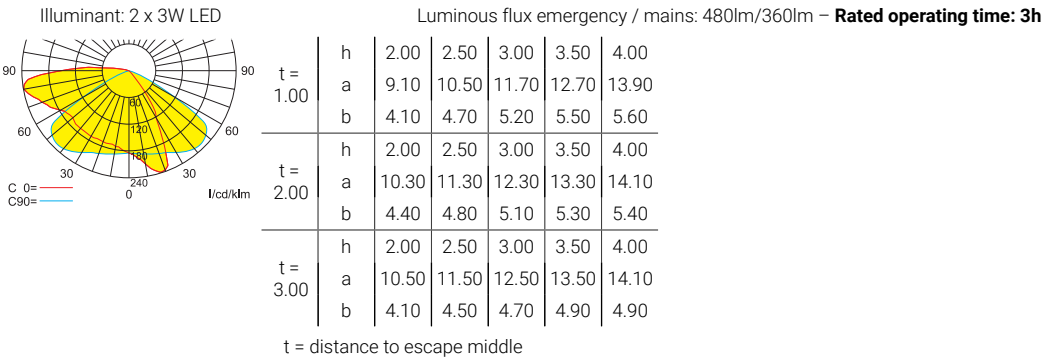
Self contained luminaires wide area optics

Distance table for plane emergency routes / distance data in meters



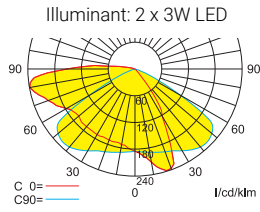
Self contained luminaires wide area optics

Distance table for plane emergency routes / distance data in meters



Self contained luminaires wide area optics

Distance table for plane emergency routes / distance data in meters



Luminous flux emergency / mains: 240lm/360lm – **Rated operating time: 8h**

t = 1.00	h	2.00	2.50	3.00	3.50	4.00
	a	7.70	8.90	10.30	10.90	11.10
	b	3.45	3.85	3.95	3.95	3.75
t = 2.00	h	2.00	2.50	3.00	3.50	4.00
	a	8.70	9.50	10.10	10.50	10.50
	b	3.35	3.55	3.55	3.25	2.65
t = 3.00	h	2.00	2.50	3.00	3.50	4.00
	a	8.10	8.70	9.30	9.50	9.30
	b	2.35	2.25	1.75	1.35	0.75

t = distance to escape middle