



S-LINE 200 BEL WM/DM

Safety luminaire in compliance with EN 60598-1/2-22 and EN 1838.

Extremely slim, attractive housing made of polycarbonate in white or black with clear hood. Screwless, easy-to-use locking mechanism.

Can be used for wall or ceiling mounting. With optional recessed ceiling frame also available as recessed ceiling version. Luminaire for area illumination.

The luminaire is equipped with a 2 Watt LED-bar.



Technical specifications

Luminaire type	Luminaires for central battery systems	Self contained luminaires
Illuminant	2 W LED-bar	2 W LED-bar
Connecting terminals	2 x 2.5 mm ² for double assignment	
Colour	white / black	
Material	Polycarbonate (light cover clear)	
Mounting type	Wall-/ceiling mounting	
Additional mounting types*	Recessed mounting, Ceiling mounting (wire suspension)	
Dimensions (W x H x D)	WM/DM 265 x 69 x 37 mm	
Protection class	IP43	
Safety class	II	
IK Safety class	IK03	
Light current (mains)	240 lm	240 lm
Light current (emergency)		
Rated operating time 1h	-	240 lm
Rated operating time 3h	-	105 lm
Luminous flux Emergency (DC) / mains		
Rated operating time 1h	-	100% / 100%
Rated operating time 3h	-	45% / 100%
Power consumption	5.5 VA	5.5 VA
Battery current input	14 mA	-
Battery duration	-	1h / 3h
Battery operation		
Voltage supply	230V 50/60Hz; 220V DC +25/-20%	230V 50/60Hz
NiMH-battery		
Rated operating time 1h	-	4,8V 0,8Ah
Rated operating time 3h	-	4,8V 0,8Ah
Temperature range	-10°C to +40°C	-
Non-maintained mode	-	0°C to +35°C
Maintained mode	-	-5°C to +30°C
optional		
Multi-switch and monitoring module	ELC MSÜ3 SET009 SET010	-
Self monitoring	-	SELF CHECK
Central monitoring	-	SAFELOG Line
Wireless monitoring	-	SAFELOG Wireless

* Optional accessory required

Accessories

Wire guard

Cement assembly box

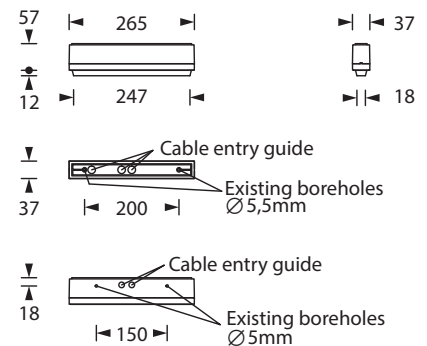
Recessed ceiling frame - clampable

Universal cover plate

Chain assembly set

Cable assembly set

Wall-/ceiling mounting



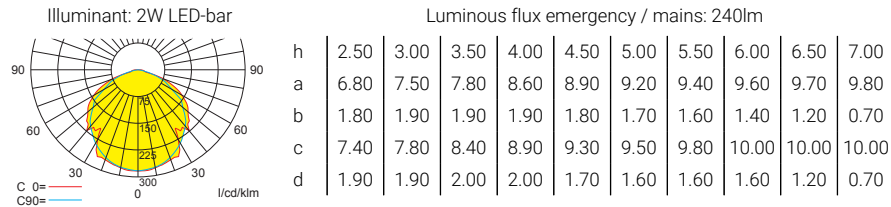
Lighting data and tables of luminaire distances (E = 1,25 lx)



Ceiling mounting

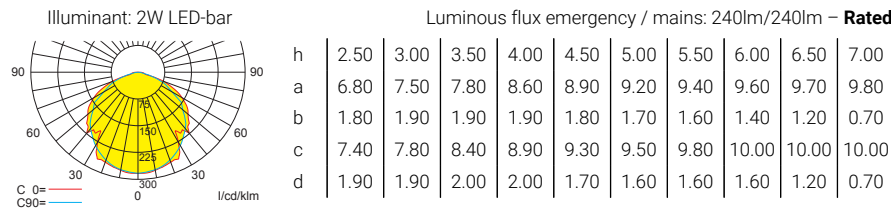
Luminaires for central battery systems **Wide area illumination**

Distance table for plane emergency routes / distance data in meters



Self contained luminaires **Wide area illumination**

Distance table for plane emergency routes / distance data in meters



Self contained luminaires **Wide area illumination**

Distance table for plane emergency routes / distance data in meters

