



SAFEBOX II 230-200-S

Safety power supply system with power limitation (LPS system, low power safety supply system) - EN 50171

Central safety power supply system with 4 or 8 final circuits, in change over mode with limitation of the output power to 200 W / 1h, 200 W / 3h or 70 W / 8h. The LPS II is designed to supply the safety lighting EN 50172 in case of failure of the general power supply.

The VRLA battery has a life expectancy of 10 years (long-life).

Operation and display of the test results are carried out via a multi-touch display.

Commissioning takes place automatically after activation. Circuit types of the circuits and operating modes of the emergency luminaires can be freely adjusted.

The LPS II has a web server with a network connection that can be accessed via a web browser. Up to 200 building plans can be stored in the web server, on which the mounting locations of the emergency luminaires and their operating status can be displayed.

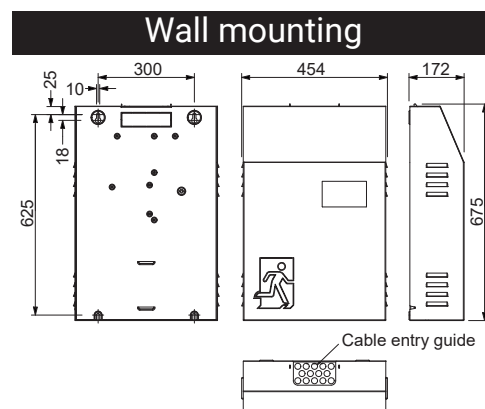


Equipment

- max. output 200 W / 1h, 200 W / 3h oder 70 W / 8h
- 4 or 8 final circuits (1.0 A) with circuit and individual luminaire monitoring
- Luminaires freely programmable via the LPS and / or the luminaire module in BS / DS (only with optional ELC-module)
- 5" multi-touch-capable colour display including an USB port for connecting external storage, a keyboard or a mouse
- Automatic commissioning
- 4 non-floating 230 V inputs for querying light switch positions (freely programmable)
- 4 floating control inputs (freely programmable)
- 4 relay outputs for messages (freely programmable)
- 1 connection for MFT4 status and control panel
- 1 connection as monitored safety loop for external phase monitor
- 1 contact for safety light blocking during idle times
- 24 groups freely programmable
- 24 timers freely programmable
- Suitable for operating direction-variable luminaires (RIVA / only with ELC address module)
- Possibility of switching off individual circuits during battery operation (time adjustable)
- RJ-45 TCP-IP network connection
- Integrated web server with visualization of the mounting locations of the emergency luminaires
- Web visualization of up to 125 LPS II devices

Technical specifications

| | |
|---------------------------------|--------------------------------------------|
| Power supply | 1/N/PE AC 50 Hz 230V |
| External back-up fuse | 16A |
| System voltage | 24 V / 230V AC / DC |
| Output terminals | 1.5 mm ² to 2.5 mm ² |
| Material | Sheet steel |
| Colour | anthracite grey |
| Ambient temperature | 5°C to +30°C |
| Cable entry | from the top and the back |
| Dimensions (W x H x D) | 454 x 675 x 172 mm |
| Weight without batteries | 17,60 kg |
| Protection class | IP20 |
| Safety class | I |



Variants

| Productname | Battery duration | Power | Batteries | Capacity | Weight |
|---------------------------------------------------------|------------------|------------------|-------------------|----------|---------|
| LPS SAFEBOX II-4 230-200-S/1h/100W | 1h | 100 W | 2x 12 V | 12 Ah | 24,9 kg |
| LPS SAFEBOX II-4 230-200-S/1h/200W | 1h | 200 W | 4x 12 V | 24 Ah | 32,3 kg |
| LPS SAFEBOX II-4 230-200-S/3h/35W | 3h | 35 W | 2x 12 V | 12 Ah | 24,9 kg |
| LPS SAFEBOX II-4 230-200-S/3h/80W | 3h | 80 W | 4x 12 V | 24 Ah | 32,3 kg |
| LPS SAFEBOX II-4 230-200-S/3h/135W | 3h | 135 W | 6x 12 V | 36 Ah | 39,6 kg |
| LPS SAFEBOX II-4 230-200-S/3h/200W | 3h | 200 W | 8x 12 V | 48 Ah | 47,0 kg |
| LPS SAFEBOX II-4 230-200-S/8h/24W | 8h | 24 W | 4x 12 V | 24 Ah | 32,3 kg |
| LPS SAFEBOX II-4 230-200-S/8h/42W | 8h | 42 W | 6x 12 V | 36 Ah | 39,6 kg |
| LPS SAFEBOX II-4 230-200-S/8h/70W | 8h | 70 W | 8x 12 V | 48 Ah | 47,0 kg |
| LPS SAFEBOX II-4 230-200-S/1h, 3h max. 200W/8h max. 70W | 1h/3h/8h | 200 W/200 W/70 W | without batteries | | 17,6 kg |
| LPS SAFEBOX II-8 230-200-S/1h/100W | 1h | 100 W | 2x 12 V | 12 Ah | 24,9 kg |
| LPS SAFEBOX II-8 230-200-S/1h/200W | 1h | 200 W | 4x 12 V | 24 Ah | 32,3 kg |
| LPS SAFEBOX II-8 230-200-S/3h/35W | 3h | 35 W | 2x 12 V | 12 Ah | 24,9 kg |
| LPS SAFEBOX II-8 230-200-S/3h/80W | 3h | 80 W | 4x 12 V | 24 Ah | 32,3 kg |
| LPS SAFEBOX II-8 230-200-S/3h/135W | 3h | 135 W | 6x 12 V | 36 Ah | 39,6 kg |
| LPS SAFEBOX II-8 230-200-S/3h/200W | 3h | 200 W | 8x 12 V | 48 Ah | 47,0 kg |
| LPS SAFEBOX II-8 230-200-S/8h/24W | 8h | 24 W | 4x 12 V | 24 Ah | 32,3 kg |
| LPS SAFEBOX II-8 230-200-S/8h/42W | 8h | 42 W | 6x 12 V | 36 Ah | 39,6 kg |
| LPS SAFEBOX II-8 230-200-S/8h/70W | 8h | 70 W | 8x 12 V | 48 Ah | 47,0 kg |
| LPS SAFEBOX II-8 230-200-S/1h, 3h max. 200W/8h max. 70W | 1h/3h/8h | 200 W/200 W/70 W | without batteries | | 17,6 kg |

Explanation

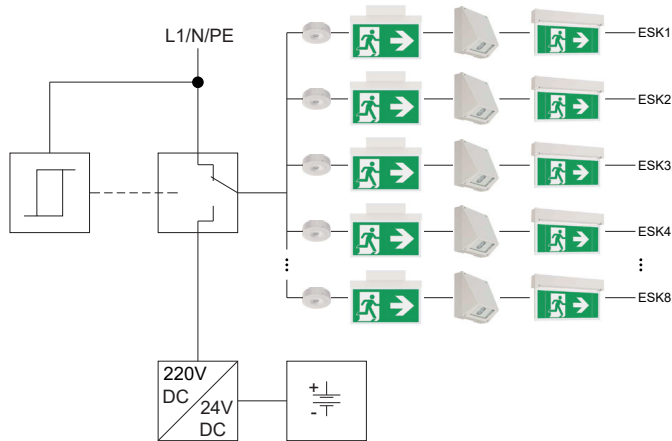


Fig. 1:
Schematic illustration of the LPS II unit

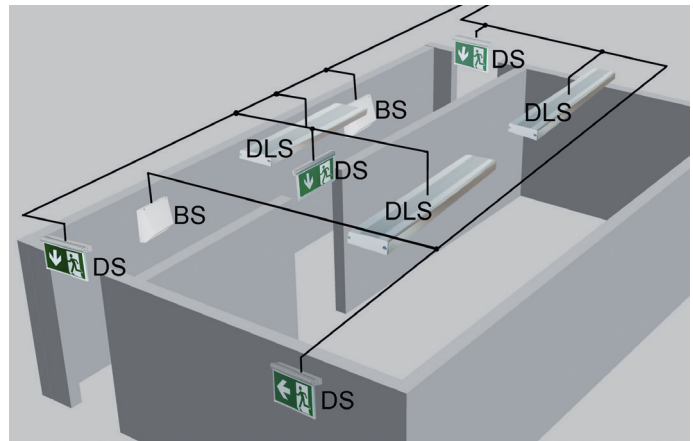


Fig. 2
Schematic illustration of the circuit types:
BS = Non maintained mode (NMM)
DS = Maintained mode (MM)
DLS = Switched maintained mode (SMM)

Each circuit can be operated in continuous or standby mode with circuit monitoring or in continuous mode for mixed operation mode with individual luminaire monitoring. For mixed operation mode, an ELC module is required in the safety luminaires.