

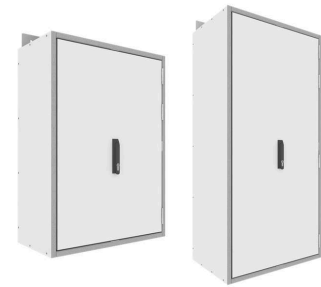


# Fire protection housing

**Fire protection housing, suitable for maintaining the function of safety systems in the event of fire for at least 30 minutes.**

Fire chamber test by an official material testing institute Flame test according to ETK in compliance with DIN EN 1363-1 Test according to DIN EN 1363-1 Test certificate without restriction regarding cable types or cable manufacturers. Test report no. 903 8706 000-2.

Enclosure for wall mounting in single-leaf design. As standard, the enclosures have a ventilation system in the rear wall, cable entries at the top and bottom and an interchangeable door hinge from DIN R to DIN L. Opening angle approx. 180°, rotary bolt lock via square, all-round fire protection seal, self-foaming in the event of fire.



## Equipment

- Enclosure in kit construction, essentially consisting of non-combustible building materials
- Housing surface with a highly chemically resistant and moisture-resistant coating
- Color white, similar to RAL 9010, edges without coating in light grey look
- Single-leaf door, door hinge optionally left or right
- Door with all-round multiple sealing system consisting of smoke protection seals and fire protection seals that foam open automatically in the event of fire
- Door with relief when closed
- Door can be detached for easier transportation and assembly on site
- Stainless steel door hinges
- Door hinges can be changed on site
- Door lock via 2-point locking with swivel lever and DIN cylinder (double-bit)
- Door opening angle 180°
- External fixing brackets for quick installation on all solid walls  $\geq 100$  mm (fixing brackets and fire protection plugs included)

## Technical specifications and order information

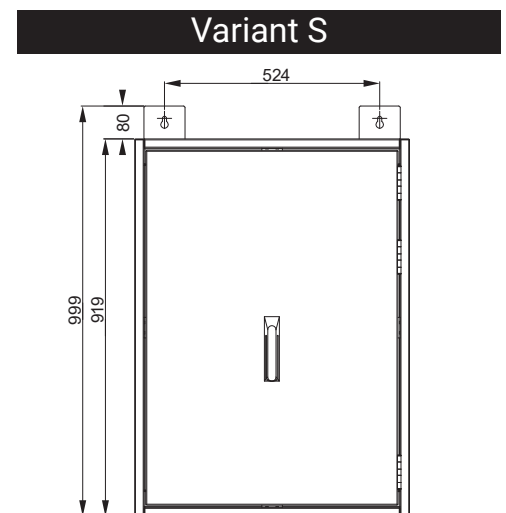
Fire protection housing S / fire resistance min. 30 min.

Mounting type	Wall mounting
Dimensions (W x H x D)	669 x 919 x 325.5 mm
Cable entry	from the top and below
Weight	72,0 kg
Protection class	IP42
Safety class	II
IK Safety class	IK10

**Order number** 980046

**Suitable for following systems:**

SAFEBOX II 230-200-S      SAFEBOX II 230-500-S



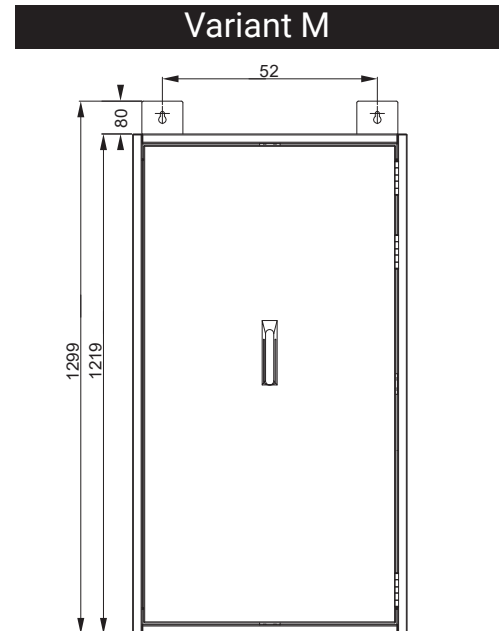
## Fire protection housing M / fire resistance min. 30 min.

Mounting type	Wall mounting
Dimensions (W x H x D)	669 x 1219 x 425.5 mm
Cable entry	from the top and below
Weight	107,0 kg
Protection class	IP42
Safety class	II
IK Safety class	IK10

**Order number**                    **980047**

### Suitable for following systems:

SAFEBOX II 230-500-M



## Tests

EN 1363-1 (according to), EN 62208

## Building inspection certificates

abZ/aBg Z-86.1-97 (DE), 30 BvI  
abZ/aBg Z-86.1-95 (DE), 30 BvA

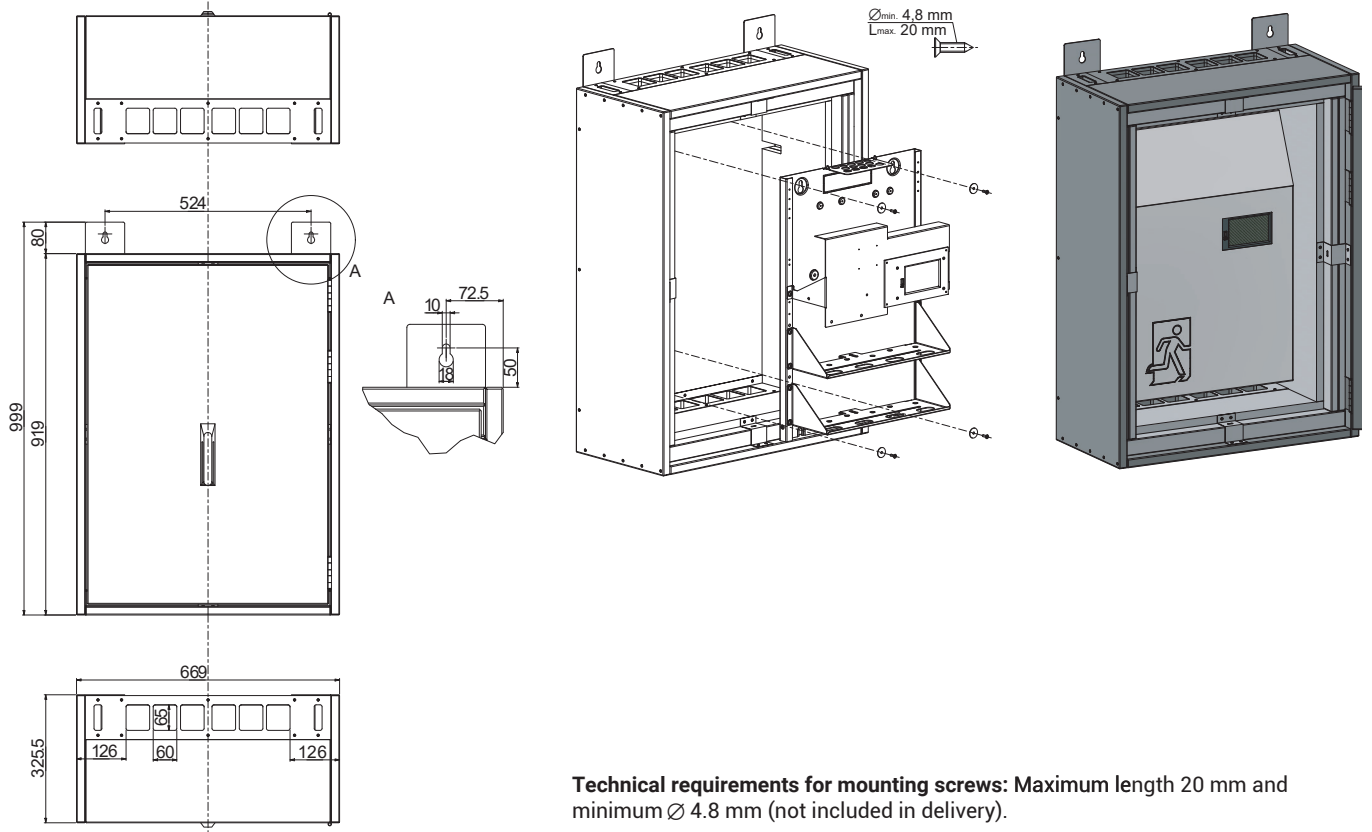
## VKF approval

Nr. 31395 (Fire resistance class EI60) BvA  
Nr. 31396 (Fire resistance class EI60) BvI

## Electrical engineering certificates

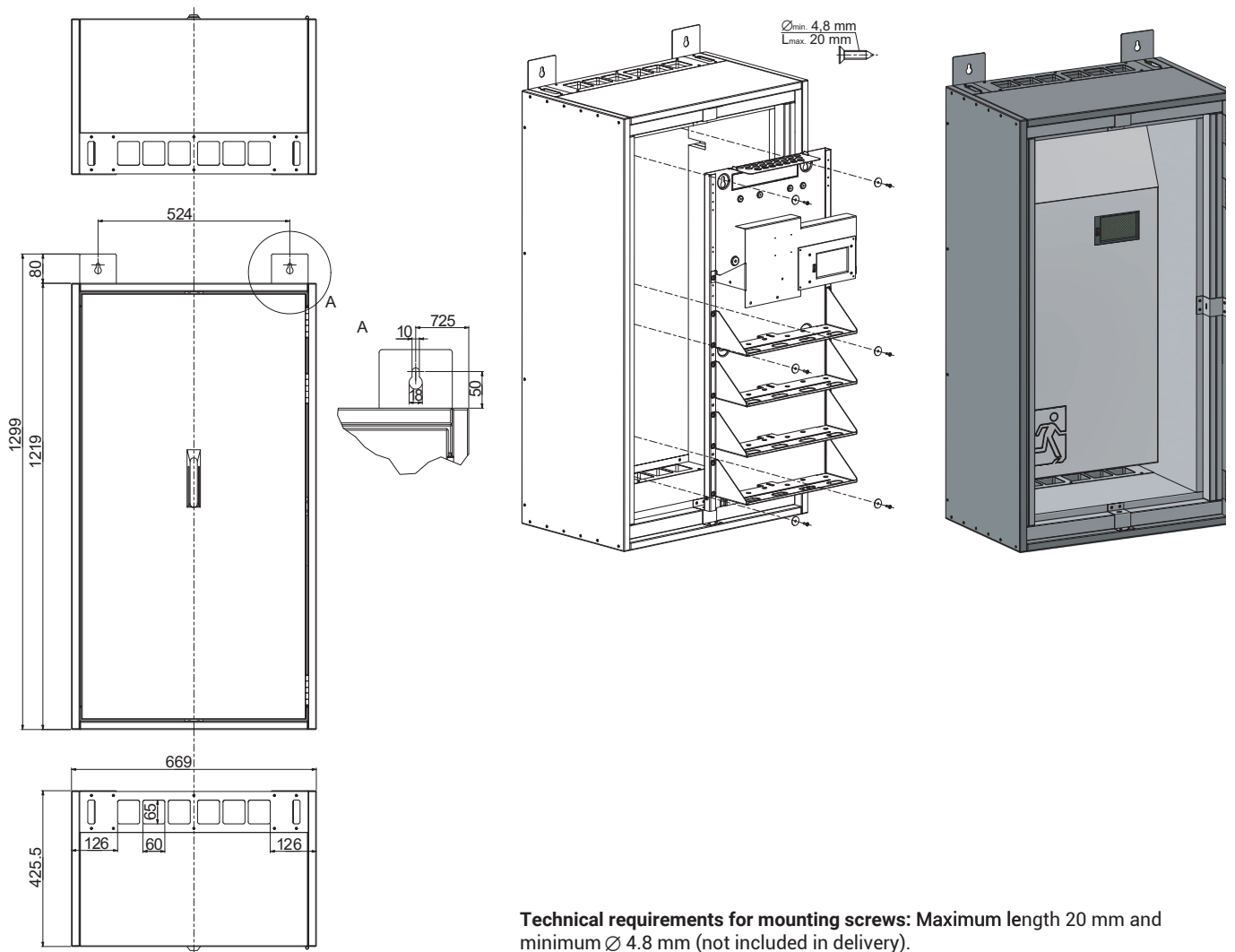
VDE -263219-TL7-1

### Dimensions E30 housing version S and installation of the LPS device



**Technical requirements for mounting screws:** Maximum length 20 mm and minimum  $\varnothing 4.8 \text{ mm}$  (not included in delivery).

### Dimensions E30 housing version M and installation of the LPS device



**Technical requirements for mounting screws:** Maximum length 20 mm and minimum  $\varnothing 4.8 \text{ mm}$  (not included in delivery).