



# SAFELOG TOUCH

## Monitoring and control unit for self-contained luminaires (ATS) according to EN 62034

The SAFELOG main control unit with touch display for monitoring and controlling self-contained luminaires.

Management up to 500 bus-monitored self-contained luminaires (RS485). Available in 3 versions with max. 500 / 100 / 50 self-contained luminaires (RS485). A multi-touch-enabled 5" colour display showing the battery states of the luminaires controls all the connected self-contained luminaires.

The SAFELOG Touch main control unit has a network connection permitting the state of the devices to be activated using the installed web server. The function of remote-controlling the main control unit via the WEB server and of saving building plans is included.



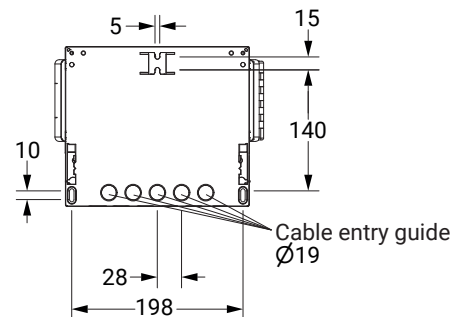
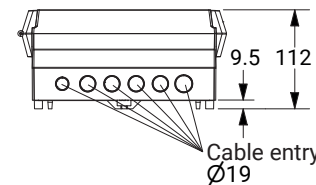
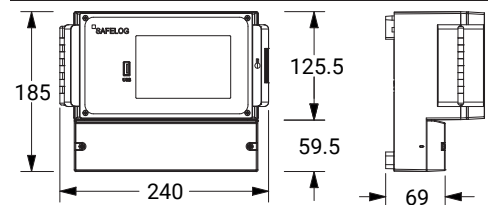
## Equipment

- 5" multi-touch color display including a USB port for connecting external storage, a USB printer, a keyboard or a mouse
- State of the luminaires is shown with icons and through plain text
- Automatic commissioning including luminaire search, no manual addressing of luminaires is necessary
- Free entry of luminaire destination designations with max. 30 characters
- RJ45 network connection with TCP / IP protocol
- Integrated web server incl. web visualization for system monitoring with web control and building visualization
- IP panel function for monitoring up to 30 SAFELOG systems in the network
- E-mail notification to distribution list / messages are freely adjustable
- Automatic function and duration test (time freely selectable)
- Electronic test logbook stores all events in the control unit for at least 4 years / Evaluation and analysis of the test logbook results via the web server
- 48 freely programmable groups respectively group assignments
- 24 time switches freely programmable
- Luminaires switchable in maintained and non-maintained mode (all / per bus circuit / per group / per luminaire)
- Password-protected access across two levels (user / installer)

## Technical specifications

<b>Power supply</b>	1/N/PE AC 50Hz 230V
<b>Power consumption</b>	12,0 W
<b>Mains connectors</b>	1.5 mm <sup>2</sup> to 2.5 mm <sup>2</sup>
<b>Bus connections</b>	2 x RS485 (5V level) / reverse polarity protected
<b>Switching outputs</b>	3 x change-over contacts (programmable, potential-free)
<b>Switching inputs</b>	2 x optocouplers (programmable, 24V - 230V AC / DC)
<b>Extra power supply</b>	24V / 40mA
<b>Ambient temperature</b>	0°C to +35°C
<b>Cable entry</b>	from back and below
<b>Dimensions (W x H x D)</b>	240 x 185 x 112 mm
<b>Protection class</b>	IP65
<b>Safety class</b>	II

## Wall mounting

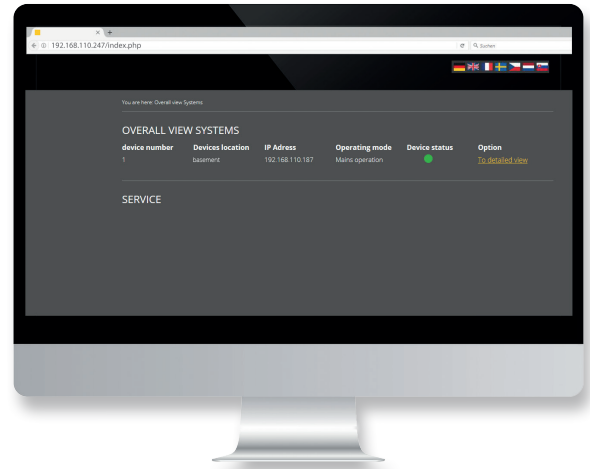


# WEB VISUALIZATION

The SAFELOG TOUCH system includes an integrated RJ45 network connection with which the device status can be retrieved using the built-in web server.

The SAFELOG TOUCH system can be controlled remotely via the web server and building plans can be stored for the building visualization. No additional installations in the network are necessary. A device overview is available to the user in real time by entering the IP address of the SAFELOG TOUCH system in the web browser.

No data has to be imported or read in. All actions take place directly on the SAFELOG TOUCH system.

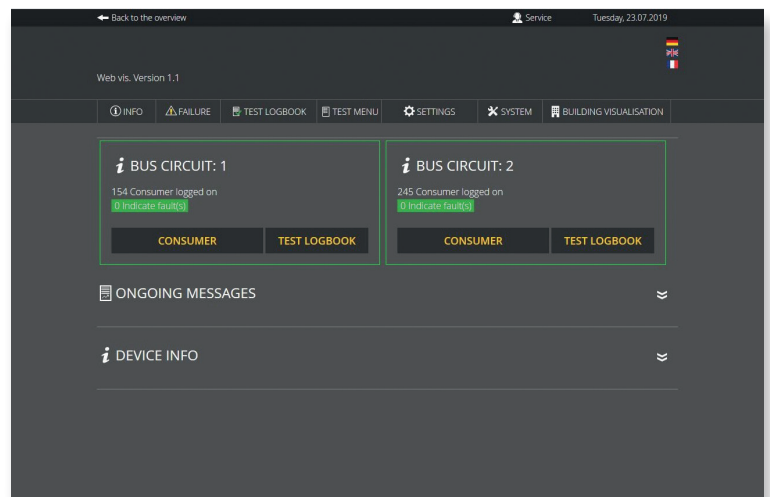


Overview of the control center in the web browser

## Detailed view

In the detailed view level, you navigate in the same way as you would at the SAFELOG TOUCH system.

- »Status« display for the bus circuit and individual consumer
- Clear presentation of each bus circuit with all consumers
- Starting and ending function tests with individually selectable times including test logging
- Print and file export functions for all memories (log book), tables, overviews and views
- Configuring groups and time switches
- Setting up E-mail recipients (notification)
- Programming of switching inputs and outputs
- User and rights management with several password-protected user profiles.  
The administration of rights and passwords corresponds 1 : 1 to the rights and passwords of the SAFELOG TOUCH system.



## Building visualization

The building visualization gives you an optical presentation of the safety lighting in the building. The visualization gives the user a quick overview of all consumers connected to the SAFELOG TOUCH system.

You can see the status of the SAFELOG TOUCH system and consumers at any time and react promptly in the event of an error. In addition, the building visualization helps users (including non-local users) to orient themselves quickly in the building.

The plans for the building visualization are stored as images (\*.PNG, \*.JPG) in the system. Up to 200 different plans can be stored.



## Connection

The SAFELOG TOUCH system is integrated into a local network for the use of web visualization.

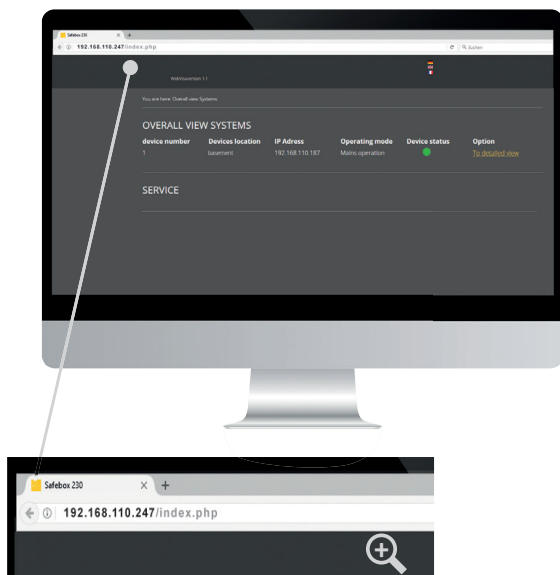
Access to the system within the network must be administered and set up by a responsible IT department.

## Connection example

Enter the address via the web browser



Direct access via IP address,  
e. g.: 192.168.110.247



IP: 192.168.110.247