



PROTECT PE WM

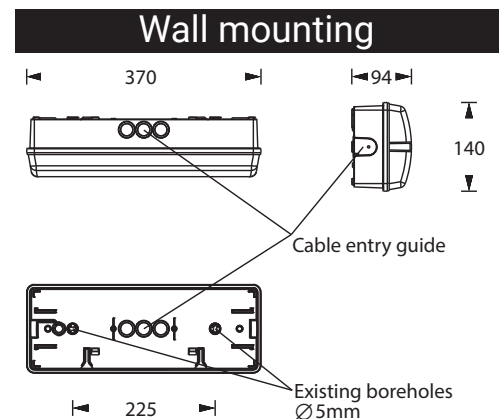
Exit luminaire in compliance with EN 60598-1/2-22 and EN 1838.

Exit luminaire with protection class IP65 made of polycarbonate with white reflector and clear light cover for single sided pictogram assembly for wall mounting. The luminaire price includes one pictogramfoil set - arrow left/right/down/up (Visibility distance 23 m). For unprotected outdoor installation, we offer an accessory set with pressure compensation valve. In the versions with heating case, the pressure compensation valve is always integrated in the luminaire. Optionally, the luminaire can be delivered as a central battery version for a temperature range down to -35°C (unmonitored). Optional the luminaire is available with a heating case with battery (4,8V 0,8Ah) to use in environments with lowest permissible temperature of -20°C .



Technical specifications

Luminaire type	Luminaires for central battery systems	Self contained luminaires
Illuminant	1.5 W LED-bar	1.5 W LED-bar
Visibility distance	23 m	
Connecting terminals	2 x 2.5 mm ² for double assignment	
Colour	white	
Material	Polycarbonate (light cover opal)	
Mounting type	Wall mounting	
Dimensions (W x H x D)	WM 370 x 140 x 94 mm	
Protection class	IP65	
Safety class	II	
IK Safety class	IK08	
Light current (mains)	190 lm	190 lm
Luminous flux Emergency (DC) / mains		
Rated operating time 1h	-	40% / 100%
Rated operating time 3h	-	40% / 100%
Rated operating time 8h	-	20% / 100%
Power consumption	5 VA	5 VA
Battery current input	12 mA	-
Battery duration	-	1h / 3h / 8h
Battery operation		
Voltage supply	230V 50/60Hz; 220V DC +25/-20%	230V 50/60Hz
NiMH-battery		
Rated operating time 1h	-	4,8V 0,8Ah 4,8V 0,8Ah + AkH
Rated operating time 3h	-	4,8V 0,8Ah 4,8V 0,8Ah + AkH
Rated operating time 8h	-	4,8V 0,8Ah 4,8V 0,8Ah + AkH
Temperature range	-10°C to +40°C	-
Non-maintained mode	-	0°C to +35°C
Maintained mode	-	-5°C to +30°C
optional		
Multi-switch and monitoring module	DALI ELC MSÜ3 SET009 SET010	-
Self monitoring	-	SELF CHECK
Central monitoring	-	SAFELOG Line
Wireless monitoring	-	SAFELOG Wireless



Pictogram-set - included in the delivery



Optional pictograms (-sets)



Accessories

Pressure compensation valve

Double pendulum set with long canopy

Central pendulum sets with long canopy

Wire sets with long canopy

Pictograms