



E-LINE 200 DMS

Exit luminaire in compliance with EN 60598-1/2-22 and EN 1838.

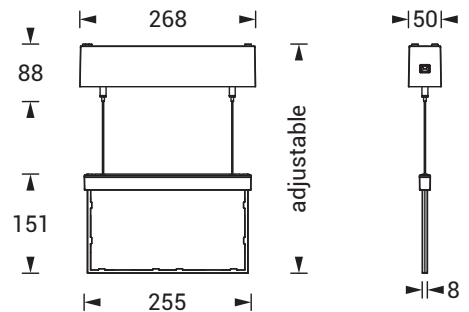
Simple IP40 exit luminaire made of polycarbonate for wall/ceiling mounting with wire suspension (wire length 1,5 m) in white or black. An inconspicuous wall adapter with click system is included for wall mounting. Optionally, the luminaire is available from the factory with a 2 x 5 m or a 2 x 10 m live cable. The 8 mm PC/acrylic glass pane module is illuminated by a 1 or 2 Watt LED-bar. A set of pictograms - arrow left/right/down/up/blind (Visibility distance 23 m) is included.

Technical specifications

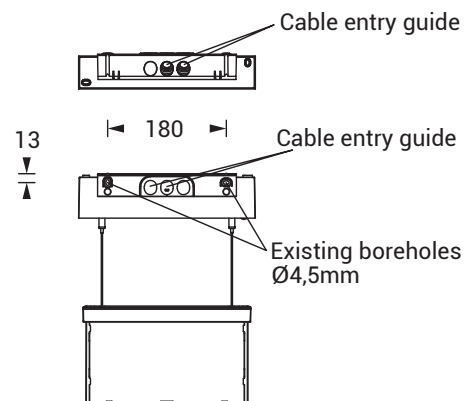
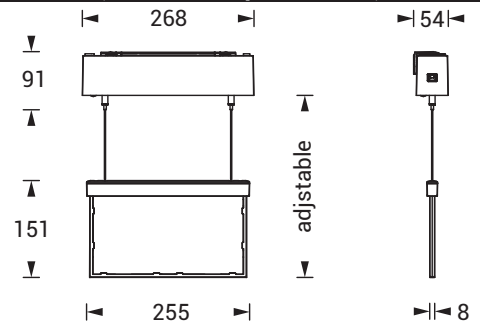
Luminaire type	Luminaires for central battery systems		Self contained luminaires	
	1 W LED-bar	2 W LED-bar	1 W LED-bar	2 W LED-bar
Illuminant				
Visibility distance	23 m			
Connecting terminals	2 x 2.5 mm ² for double assignment			
Colour	white / black			
Material	Polycarbonate			
Mounting type	Wall-/ceiling mounting (wire suspension)			
Dimensions (W x H x D)	DM 268 x 239 x 50 mm WM 268 x 242 x 54 mm			
Pane dimensions (W x H x D)	245 x 149 x 8 mm			
Protection class	IP40			
Safety class	II			
IK Safety class	IK03			
Light current (mains)	130 lm	260 lm	130 lm	260 lm
Luminous flux Emergency (DC) / mains				
Rated operating time 1h	-	-	50% / 100%	30% / 100%
Rated operating time 3h	-	-	50% / 100%	30% / 100%
Rated operating time 8h	-	-	25% / 100%	15% / 100%
Power consumption	4.5 VA	5.5 VA	4.5 VA	5.5 VA
Battery current input	11 mA	14 mA	-	
Rated operating time Battery operation	-		1h / 3h / 8h	
Voltage supply	230V 50/60Hz; 220V DC +25/-20%		230V 50/60Hz	
NiMH-battery				
Rated operating time 1h	-	-	4,8V 0,8Ah	4,8V 0,8Ah
Rated operating time 3h	-	-	4,8V 0,8Ah	4,8V 0,8Ah
Rated operating time 8h	-	-	4,8V 0,8Ah	4,8V 0,8Ah
Temperature range	-10°C to +40°C		-	
Non-maintained mode	-		0°C to +35°C	
Maintained mode	-		-5°C to +30°C	
optional				
Multi-switch and monitoring module	ELC MSÜ3 SET009 SET010		-	
Self monitoring	-		SELF CHECK	
Central monitoring	-		SAFELOG Line	
Wireless monitoring	-		SAFELOG Wireless	



Ceiling mounting (wire suspension)



Wall mounting (wire suspension)



Pictogram-set - included in the delivery



Accessories

Recessed ceiling housing - E-LINE 200

Wall bracket

Pictograms
