



INSTAR ER-F/R

Safety luminaire in compliance with EN 60598-1/2-22 and EN 1838.

Almost ceiling-flush luminaire body made of die-cast aluminum, powder-coated in white or black. Round design for installation in device boxes.

Optics for area illumination are pre-mounted, optics for escape route illumination are included.

A round surface-mount housing for ceiling surface mounting made of die-cast aluminum is optionally available.



Figure shows accessory

Technical specifications

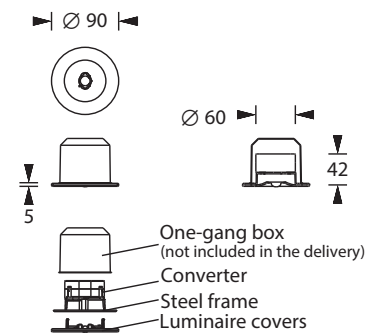
Luminaire type	Luminaires for central battery systems
Illuminant	3 W LED
Connecting terminals	2 x 2.5 mm ² for double assignment
Colour	white / black
Material	Aluminum die-cast
Mounting type	Recessed mounting
Additional mounting types*	Ceiling mounting
Dimensions (Ø x D)	DE 90 x 47 mm
Protection class	IP40
Safety class	II
IK Safety class	IK03
Light current (mains)	280 lm
Power consumption	6 VA
Battery current input	15 mA
Voltage supply	230V 50/60Hz; 220V DC +25/-20%
Temperature range	-10°C to +40°C
optional	
Multi-switch and monitoring module	ELC MSÜ3 SET010

* Optional accessory required

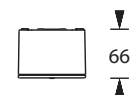
Accessories

Construction set
Universal cover plate
5lx-optics accessories-set
Downlight-optics accessories-set

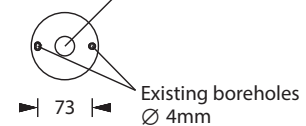
Recessed/ ceiling mounting



Construction set



Cable entry guide



Use in device boxes

The following device boxes are compatible with the luminaire (not included in the scope of delivery)

Type	Manufacturer	Manufacturer Art. No.	Remarks
Ceiling boxes for ceiling formwork	KAISER	1227-50	Or another make with min. 115 mm depth and the same clear inside diameter, ceiling cutout Ø 60 mm
Fire-protection boxes	KAISER	9464-50	Or another make with min. 55 mm depth and the same clear inside diameter, ceiling cutout Ø 74 mm
One-gang boxes for cavity wall installation	KAISER	6264-22	Or another make with min. 61 mm depth and the same clear inside diameter, ceiling cutout Ø 68 mm
One-gang boxes for flushmounting installation	KAISER	1555-04	Or another make with min. 66 mm depth and the same clear inside diameter, ceiling cutout Ø 60 mm
One-gang boxes for on-side mixed concrete	KAISER	1260-01	Or another make with min. 79 mm depth and the same clear inside diameter, ceiling cutout Ø 60 mm

