



SAFE W-2R

Safety luminaire in compliance with EN 60598-1/2-22 and EN 1838.

Weather-proof housing made of aluminum die-casting with a pane of safety glass, sealed with silicone.

Cable inlet into the luminaire possible from the back and from below.

Model for wall mounting with two high-performance LEDs and cast acrylic optics for escape route illumination by means of rectangular, light-deflecting characteristics.

Product includes an IP65 membrane pressure compensation valve.

Optionally, the luminaire can be delivered as a central battery version for a temperature range down to -35°C (unmonitored).

Optional the luminaire is available with an external supply unit to mount it outside and the supply unit inside. Also optional is a heating case with battery (4,8V 4,2Ah) to use in environments with lowest permissible temperature of -20°C within the luminaire.

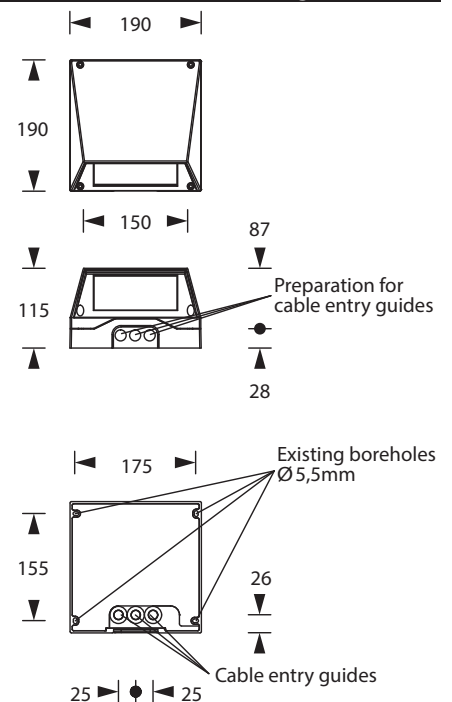


Figure shows accessory

Technical specifications

Luminaire type	Luminaires for central battery systems	Self contained luminaires
Illuminant	2 x 3 W LED	2 x 3 W LED
Connecting terminals	3 x 2.5 mm ² for double assignment	
Colour	white / graphite grey	
Material	Aluminum die-cast	
Mounting type	Wall mounting	
Dimensions (W x H x D)	WM 190 x 190 x 115 mm	
Protection class	IP65	
Safety class	I	
IK Safety class	IK08	
Light current (mains)	480 lm	360 lm
Light current (emergency)		
Rated operating time 1h	-	480 lm
Rated operating time 3h	-	480 lm
Rated operating time 8h	-	240 lm
Luminous flux		
Emergency (DC) / mains		
Rated operating time 1h	-	100% / 75%
Rated operating time 3h	-	100% / 75%
Rated operating time 8h	-	50% / 75%
Power consumption	10 VA	8 VA
Battery current input	25 mA	-
Battery duration		
Battery operation	-	1h / 3h / 8h
Voltage supply	230V 50/60Hz; 220V DC +25/-20%	230V 50/60Hz
NiMH-battery		
Rated operating time 1h	-	4,8V 2,0Ah 4,8V 2,0Ah + AkH
Rated operating time 3h	-	4,8V 4,2Ah 4,8V 4,2Ah + AkH
Rated operating time 8h	-	4,8V 4,2Ah 4,8V 4,2Ah + AkH
Temperature range	-10°C to +40°C (monitored) / -20°C to +40°C (unmonitored)	-
Non-maintained mode	-	0°C to +35°C
Maintained mode	-	-5°C to +30°C
optional		
Multi-switch and monitoring module	ELC MSÜ3 SET009 SET010	-
Self monitoring	-	SELF CHECK
Central monitoring	-	SAFELOG Line
Wireless monitoring	-	SAFELOG Wireless

Wall mounting



Accessories

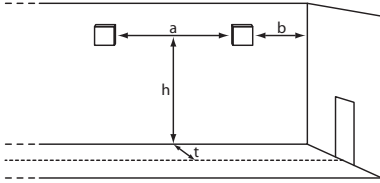
Rear mounting bracket

Bollard

Ground anchor for bollard

Pole and wall bracket

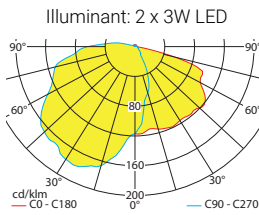
Lighting data and tables of luminaire distances (E = 1,25 lx)



Wall mounting

Luminaires for central battery systems escape route optics

Distance table for plane emergency routes / distance data in meters

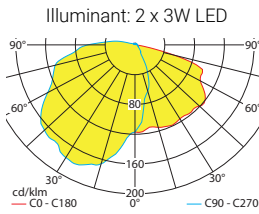


t =		1.00	1.90	2.00	2.10	2.30	2.50	2.70	2.90	3.00	3.10	3.30	3.50	4.00	4.50	5.00
1.00	h	1.00	1.90	2.00	2.10	2.30	2.50	2.70	2.90	3.00	3.10	3.30	3.50	4.00	4.50	5.00
	a	11.00	16.50	17.00	17.50	18.50	19.00	20.00	20.50	21.00	21.50	21.50	21.50	19.50	16.50	15.00
	b	5.00	7.50	7.50	8.00	8.00	8.50	8.50	8.50	8.50	8.50	8.50	8.00	8.00	6.50	5.50
1.50	h	1.00	1.90	2.00	2.10	2.30	2.50	2.70	2.90	3.00	3.10	3.30	3.50	4.00	4.50	5.00
	a	9.50	17.50	18.00	18.50	19.00	20.50	20.50	21.50	22.00	22.00	23.00	23.00	22.50	20.50	18.00
	b	3.00	7.50	8.00	8.00	8.50	8.50	9.00	9.00	9.00	9.00	9.00	9.00	9.00	8.00	6.00
2.00	h	1.00	1.90	2.00	2.10	2.30	2.50	2.70	2.90	3.00	3.10	3.30	3.50	4.00	4.50	5.00
	a	6.50	17.50	18.00	18.50	20.00	21.00	22.00	22.50	23.00	23.50	24.00	24.50	25.00	24.00	23.00
	b	2.50	7.00	7.50	8.00	8.50	8.50	9.00	9.50	9.50	9.50	9.50	9.50	9.00	8.00	7.00

t = distance to escape middle

Self contained luminaires escape route optics

Distance table for plane emergency routes / distance data in meters

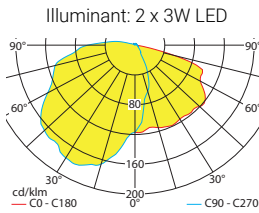


t =		1.00	1.90	2.00	2.10	2.30	2.50	2.70	2.90	3.00	3.10	3.30	3.50	4.00	4.50	5.00
1.00	h	1.00	1.90	2.00	2.10	2.30	2.50	2.70	2.90	3.00	3.10	3.30	3.50	4.00	4.50	5.00
	a	11.00	16.50	17.00	17.50	18.50	19.00	20.00	20.50	21.00	21.50	21.50	21.50	19.50	16.50	15.00
	b	5.00	7.50	7.50	8.00	8.00	8.50	8.50	8.50	8.50	8.50	8.50	8.00	8.00	6.50	5.50
1.50	h	1.00	1.90	2.00	2.10	2.30	2.50	2.70	2.90	3.00	3.10	3.30	3.50	4.00	4.50	5.00
	a	9.50	17.50	18.00	18.50	19.00	20.50	20.50	21.50	22.00	22.00	23.00	23.00	22.50	20.50	18.00
	b	3.00	7.50	8.00	8.00	8.50	8.50	9.00	9.00	9.00	9.00	9.00	9.00	9.00	8.00	6.00
2.00	h	1.00	1.90	2.00	2.10	2.30	2.50	2.70	2.90	3.00	3.10	3.30	3.50	4.00	4.50	5.00
	a	6.50	17.50	18.00	18.50	20.00	21.00	22.00	22.50	23.00	23.50	24.00	24.50	25.00	24.00	23.00
	b	2.50	7.00	7.50	8.00	8.50	8.50	9.00	9.50	9.50	9.50	9.50	9.50	9.00	8.00	7.00

t = distance to escape middle

Self contained luminaires escape route optics

Distance table for plane emergency routes / distance data in meters

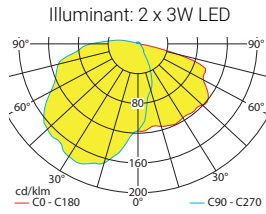


t =		1.00	1.90	2.00	2.10	2.30	2.50	2.70	2.90	3.00	3.10	3.30	3.50	4.00	4.50	5.00
1.00	h	1.00	1.90	2.00	2.10	2.30	2.50	2.70	2.90	3.00	3.10	3.30	3.50	4.00	4.50	5.00
	a	11.00	16.50	17.00	17.50	18.50	19.00	20.00	20.50	21.00	21.50	21.50	21.50	19.50	16.50	15.00
	b	5.00	7.50	7.50	8.00	8.00	8.50	8.50	8.50	8.50	8.50	8.50	8.00	8.00	6.50	5.50
1.50	h	1.00	1.90	2.00	2.10	2.30	2.50	2.70	2.90	3.00	3.10	3.30	3.50	4.00	4.50	5.00
	a	9.50	17.50	18.00	18.50	19.00	20.50	20.50	21.50	22.00	22.00	23.00	23.00	22.50	20.50	18.00
	b	3.00	7.50	8.00	8.00	8.50	8.50	9.00	9.00	9.00	9.00	9.00	9.00	9.00	8.00	6.00
2.00	h	1.00	1.90	2.00	2.10	2.30	2.50	2.70	2.90	3.00	3.10	3.30	3.50	4.00	4.50	5.00
	a	6.50	17.50	18.00	18.50	20.00	21.00	22.00	22.50	23.00	23.50	24.00	24.50	25.00	24.00	23.00
	b	2.50	7.00	7.50	8.00	8.50	8.50	9.00	9.50	9.50	9.50	9.50	9.50	9.00	8.00	7.00

t = distance to escape middle

Self contained luminaires escape route optics

Distance table for plane emergency routes / distance data in meters



Luminous flux emergency / mains: 240lm/360lm – **Rated operating time: 8h**

t = 1.00	h	1.00	1.90	2.00	2.10	2.30	2.50	2.70	2.90	3.00	3.10	3.30	3.50	4.00	4.50	5.00
	a	9.70	14.50	15.00	15.50	16.00	16.50	17.00	17.00	17.00	16.50	16.00	15.50	12.50	11.00	10.00
	b	4.30	6.50	6.50	6.50	6.50	6.50	6.50	6.50	6.00	6.00	5.50	5.00	4.50	4.00	3.00
t = 1.50	h	1.00	1.90	2.00	2.10	2.30	2.50	2.70	2.90	3.00	3.10	3.30	3.50	4.00	4.50	5.00
	a	8.20	15.00	15.50	16.00	16.50	17.00	17.50	17.50	17.50	17.50	17.00	17.00	15.50	12.00	11.00
	b	2.60	6.50	6.50	6.50	6.50	6.50	6.50	6.50	6.00	6.00	6.00	5.50	4.50	4.00	4.00
t = 2.00	h	1.00	1.90	2.00	2.10	2.30	2.50	2.70	2.90	3.00	3.10	3.30	3.50	4.00	4.50	5.00
	a	4.70	12.50	12.50	13.00	14.00	15.50	16.50	17.00	17.50	17.50	18.00	17.50	15.50	15.50	13.50
	b	1.50	4.00	4.50	5.00	5.50	5.50	6.00	6.00	6.00	6.00	6.00	6.00	5.00	4.50	4.00

t = distance to escape middle