

CUBE H-300

Exit luminaire in compliance with EN 60598-1/2-22 and EN 1838.

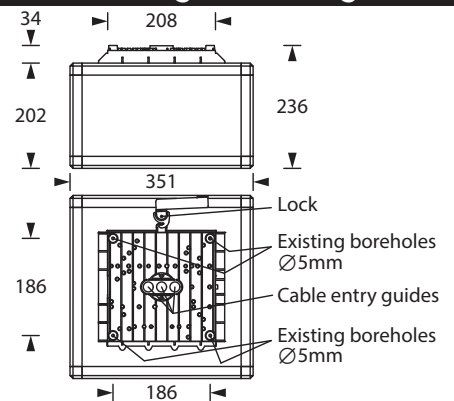
Modern, cubic luminaire housing made of anodized aluminum frame and folding upper part made of steel metal. The luminaire comes with three printed pictogram panes - arrow left/right/down (Visibility distance 30 m) and one opal pane. The product is of very rugged construction and quick to install. The luminaire is equipped with 4 x 3,5 watt high-power LED technic.



Technical specifications

Luminaire type	Luminaires for central battery systems	Self contained luminaires
Illuminant	4 x 3.5 W LED-bar	4 x 3.5 W LED-bar
Visibility distance	30 m	
Connecting terminals	2 x 2.5 mm ² for double assignment	
Colour	white aluminum (silver)	
Material	Polycarbonate/Aluminum	
Mounting type	Ceiling mounting	
Dimensions (W x H x D)	DM 351 x 236 x 351 mm	
Protection class	IP54	
Safety class	II	
IK Safety class	IK03	
Light current (mains)	950 lm	950 lm
Luminous flux		
Emergency (DC) / mains		
Rated operating time 1h	-	35% / 100%
Rated operating time 3h	-	35% / 100%
Rated operating time 8h	-	35% / 100%
Power consumption	13 VA	18 VA
Battery current input	34 mA	-
Battery duration	-	1h / 3h / 8h
Battery operation		
Voltage supply	230V 50/60Hz; 220V DC +25/-20%	230V 50/60Hz
NiMH-battery		
Rated operating time 1h	-	4,8V 2,0Ah
Rated operating time 3h	-	4,8V 2,0Ah
Rated operating time 8h	-	4,8V 4,2Ah
Temperature range	-10°C to +40°C	-
Non-maintained mode	-	0°C to +35°C
Maintained mode	-	-5°C to +30°C
optional		
Multi-switch and monitoring module	DALI ELC MSÜ3 SET009 SET010	-
Self monitoring	-	SELF CHECK
Central monitoring	-	SAFELOG Line
Wireless monitoring	-	SAFELOG Wireless

Ceiling mounting



Pictogram-set - included in the delivery



Accessories

Chain assembly set

Central pendulum - Aluminum/Plastic

Cable assembly set

Wall bracket - CUBE

Pictograms
