



IMPACT A-2T-IP54

Safety luminaire in compliance with EN 60598-1/2-22 and EN 1838.

Robust, screwless safety luminaire made of white polycarbonate with protection class IP54. Cable entry into luminaire housing at rear and side. Version for ceiling mounting with two 3 W high-power LEDs.

Low beam optics for high ceiling heights. Optionally, the luminaire can be supplied as a central battery version for a temperature range down to -35°C (unmonitored).

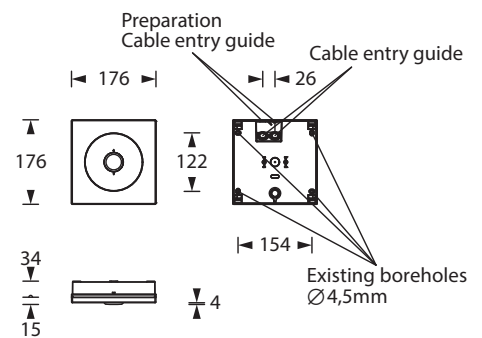
Technical specifications

Luminaire type	Luminaires for central battery systems	Self contained luminaires
Illuminant	2 x 3 W LED	2 x 3 W LED
Connecting terminals	2 x 2.5 mm ² for double assignment	
Colour	white	
Material	Polycarbonate	
Mounting type	Ceiling mounting	
Additional mounting types*	Ceiling mounting (wire suspension), Pendulum mounting	
Dimensions (W x H x D)	DM 176 x 49 x 176 mm	
Protection class	IP54	
Safety class	II	
IK Safety class	IK03	
Light current (mains)	480 lm	360 lm
Light current (emergency)		
Rated operating time 1h	-	480 lm
Rated operating time 3h	-	480 lm
Rated operating time 8h	-	240 lm
Luminous flux		
Emergency (DC) / mains		
Rated operating time 1h	-	100% / 75%
Rated operating time 3h	-	100% / 75%
Rated operating time 8h	-	50% / 75%
Power consumption	10 VA	8 VA
Battery current input	25 mA	-
Battery duration	-	1h / 3h / 8h
Battery operation		
Voltage supply	230V 50/60Hz; 220V DC +25/-20%	230V 50/60Hz
NiMH-battery		
Rated operating time 1h	-	4,8V 2,0Ah
Rated operating time 3h	-	4,8V 4,2Ah
Rated operating time 8h	-	4,8V 4,2Ah
Temperature range	-10°C to +40°C	-
Non-maintained mode	-	0°C to +35°C
Maintained mode	-	-5°C to +30°C
optional		
Multi-switch and monitoring module	ELC MSÜ3 SET009 SET010	-
Self monitoring	-	SELF CHECK
Central monitoring	-	SAFELOG Line
Wireless monitoring	-	SAFELOG Wireless

* Optional accessory required



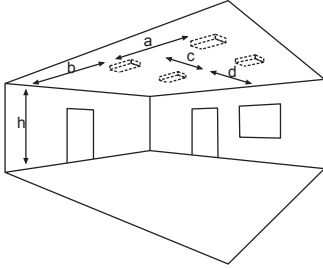
Ceiling mounting



Accessories

- _____ Pole and wall bracket
- _____ Chain assembly set
- _____ Double pendulum set with long canopy
- _____ Central pendulum sets with long canopy
- _____ Wire sets with long canopy
- _____ Cable assembly set

Lighting data and tables of luminaire distances (E = 1,25 lx)



Ceiling mounting

Luminaires for central battery systems **downlight optics**

Distance table for plane emergency routes / distance data in meters

Illuminant: 2 x 3W LED Luminous flux emergency / mains: 480lm

h	7.00	8.00	9.00	10.00	11.00	12.00	13.00	14.00	15.00	16.00	17.00	18.00	19.00	20.00	21.00	22.00	23.00	24.00
a	9.90	10.50	11.00	11.60	12.10	12.40	12.80	13.30	13.40	13.60	13.60	13.90	14.20	14.20	14.20	14.10	13.90	14.00
b	4.10	4.30	4.40	4.70	4.80	4.80	4.90	5.00	5.00	4.90	4.90	4.90	4.80	4.60	4.40	4.20	3.90	3.40
c	9.90	10.50	11.00	11.60	12.10	12.40	12.80	13.30	13.40	13.60	13.60	13.90	14.20	14.20	14.20	14.10	13.90	14.00
d	4.10	4.30	4.40	4.70	4.80	4.80	4.90	5.00	5.00	4.90	4.90	4.90	4.80	4.60	4.40	4.20	3.90	3.40

Self contained luminaires **downlight optics**

Distance table for plane emergency routes / distance data in meters

Illuminant: 2 x 3W LED Luminous flux emergency / mains: 480lm/360lm – **Rated operating time: 1h**

h	7.00	8.00	9.00	10.00	11.00	12.00	13.00	14.00	15.00	16.00	17.00	18.00	19.00	20.00	21.00	22.00	23.00	24.00
a	9.90	10.50	11.00	11.60	12.10	12.40	12.80	13.30	13.40	13.60	13.60	13.90	14.20	14.20	14.20	14.10	13.90	14.00
b	4.10	4.30	4.40	4.70	4.80	4.80	4.90	5.00	5.00	4.90	4.90	4.90	4.80	4.60	4.40	4.20	3.90	3.40
c	9.90	10.50	11.00	11.60	12.10	12.40	12.80	13.30	13.40	13.60	13.60	13.90	14.20	14.20	14.20	14.10	13.90	14.00
d	4.10	4.30	4.40	4.70	4.80	4.80	4.90	5.00	5.00	4.90	4.90	4.90	4.80	4.60	4.40	4.20	3.90	3.40

Self contained luminaires **downlight optics**

Distance table for plane emergency routes / distance data in meters

Illuminant: 2 x 3W LED Luminous flux emergency / mains: 480lm/360lm – **Rated operating time: 3h**

h	7.00	8.00	9.00	10.00	11.00	12.00	13.00	14.00	15.00	16.00	17.00	18.00	19.00	20.00	21.00	22.00	23.00	24.00
a	9.90	10.50	11.00	11.60	12.10	12.40	12.80	13.30	13.40	13.60	13.60	13.90	14.20	14.20	14.20	14.10	13.90	14.00
b	4.10	4.30	4.40	4.70	4.80	4.80	4.90	5.00	5.00	4.90	4.90	4.90	4.80	4.60	4.40	4.20	3.90	3.40
c	9.90	10.50	11.00	11.60	12.10	12.40	12.80	13.30	13.40	13.60	13.60	13.90	14.20	14.20	14.20	14.10	13.90	14.00
d	4.10	4.30	4.40	4.70	4.80	4.80	4.90	5.00	5.00	4.90	4.90	4.90	4.80	4.60	4.40	4.20	3.90	3.40

Self contained luminaires **downlight optics**

Distance table for plane emergency routes / distance data in meters

Illuminant: 2 x 3W LED Luminous flux emergency / mains: 240lm/360lm – **Rated operating time: 8h**

h	6.00	7.00	8.00	9.00	10.00	11.00	12.00	13.00	14.00	15.00	16.00	17.00	18.00	19.00
a	7.50	8.20	8.60	8.90	9.40	9.60	9.60	9.90	10.00	10.10	9.90	9.90	9.80	9.60
b	3.10	3.30	3.40	3.40	3.50	3.50	3.50	3.50	3.30	3.00	2.90	2.40	1.90	1.00
c	7.50	8.20	8.60	8.90	9.40	9.60	9.60	9.90	10.00	10.10	9.90	9.90	9.80	9.60
d	3.10	3.30	3.40	3.40	3.50	3.50	3.50	3.50	3.30	3.00	2.90	2.40	1.90	1.00