



# TRIGON 300 TWIN 5lx WM

## Multi-purpose luminaire in compliance with EN 60598-1/2-22 and EN 1838.

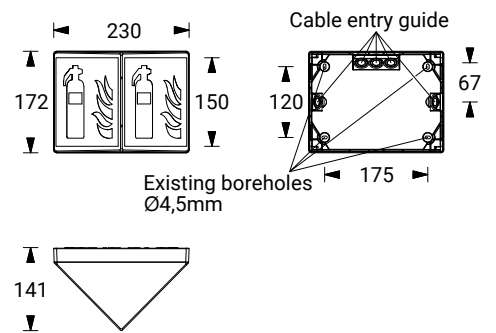
Combined pictogram and safety luminaire for illumination of firefighting equipment and safety devices with 5 lx, like fire extinguishers or first aid kits. The robust polycarbonate luminaire is designed without screws for fast mounting. Two similar special pictograms with symbols according to ISO 7010 are included with the luminaire free of charge. Please choose when you order the luminaire. The luminaire is equipped with 2x 3-watt LEDs for pictogram illumination and also with a 3-watt power LED. Even though the luminaire combines two different types of luminaires, it is counted as one single luminaire within an electric circuit.



## Technical specifications

Luminaire type	Luminaires for central battery systems	Self contained luminaires
Illuminant	2 x 3 W LED	2 x 3 W LED
Illuminant safety modul	3W LED	3W LED
Visibility distance	30 m	
Connecting terminals	2 x 2.5 mm <sup>2</sup> for double assignment	
Colour	white	
Material	Polycarbonate (light cover clear)	
Mounting type	Wall mounting	
Dimensions (W x H x D)	WM 230 x 172 x 141 mm	
Protection class	IP54	
Safety class	II	
IK Safety class	IK03	
Light current (mains)	160 lm	240 lm
Luminous flux Emergency (DC) / mains		
Rated operating time 1h	-	40% / 100%
Rated operating time 3h	-	40% / 100%
Rated operating time 8h	-	20% / 100%
Light (Net) current safety module	230 lm	-
Light current (Emergency) safety module		
Rated operating time 1h	-	230 lm
Rated operating time 3h	-	230 lm
Rated operating time 8h	-	90 lm
Luminous flux Emergency (DC) / mains safety module		
Rated operating time 1h	-	100% / 0%
Rated operating time 3h	-	100% / 0%
Rated operating time 8h	-	39% / 0%
Power consumption	8.5 VA	7 VA
Battery current input	19 mA	-
Battery duration	-	1h / 3h / 8h
Battery operation		
Voltage supply	230V 50/60Hz; 220V DC +25/-20%	230V 50/60Hz
NiMH-battery		
Rated operating time 1h	-	4,8V 2,0Ah
Rated operating time 3h	-	4,8V 2,0Ah
Rated operating time 8h	-	4,8V 2,0Ah
Temperature range	-10°C to +40°C	-
Non-maintained mode	-	0°C to +35°C
Maintained mode	-	-5°C to +30°C
Circuit options		
Pictogram	maintained mode DS	DS / BS switchable
Safety modul	non-maintained mode BS	

## Wall mounting



optional		
Multi-switch and monitoring module	DALI ELC MSÜ3 SET009 SET010	-
Self monitoring	-	SELF CHECK
Central monitoring	-	SAFELOG Line
Wireless monitoring	-	SAFELOG Wireless

**Pictograms to choose from - please specify when ordering**

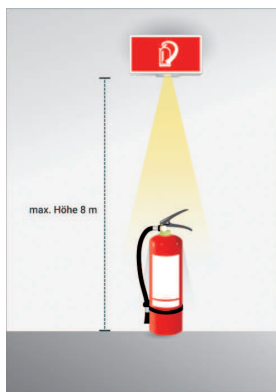


**Accessories**

Pictograms

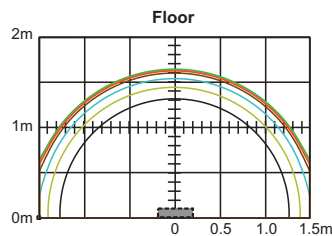
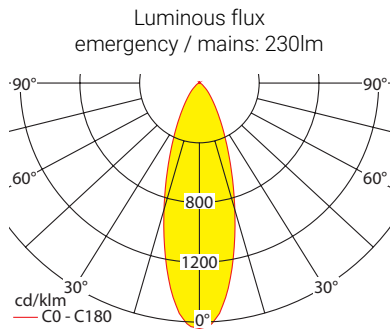
**Lighting datas and graphics of luminaire distances (E = 5,00 lx)**

**Spot-optic**

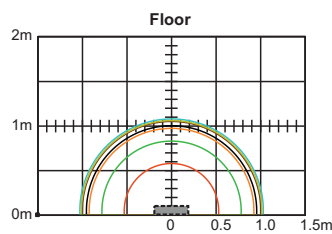
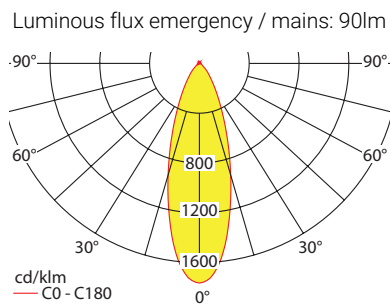


Wall mounting

The spot optic is for illumination from above e.g. for extinguisher which are mounted on a pillar like it is usual in warehouses or assembly halls. The space between luminaire to the ground can be max. 8 m.



illuminated floor area with min. 5lx when luminaire height (Lh):  
 Lh=2,0m — Lh=3,5m — Lh=5,0m —  
 Lh=2,5m — Lh=4,0m —  
 Lh=3,0m — Lh=4,5m —



illuminated floor area with min. 5lx when luminaire height (Lh):  
 Lh=2,0m — Lh=3,5m — Lh=5,0m —  
 Lh=2,5m — Lh=4,0m —  
 Lh=3,0m — Lh=4,5m —