



SAFE MINI W-R

Safety luminaire in compliance with EN 60598-1/2-22 and EN 1838.

Weather-proof housing made of aluminum die-casting with a pane of safety glass.
Model for wall mounting with high-performance LED and cast acrylic optic for escape route illumination.

Cable inlet into the luminaire possible from the back.

Product includes an IP65 membrane pressure compensation valve.

Optionally, the luminaire can be delivered as a central battery version for a temperature range down to -35°C (unmonitored).

The self contained version is also available as a set with an external supply unit for indoor installation and lighting unit for outdoor mounting (suitable for a temperature range to -35°C).

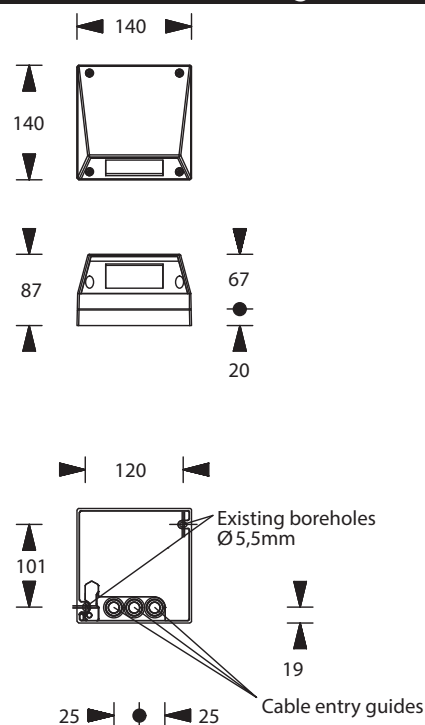
Alternatively, the luminaire is available with a heating case incl. battery (4,8V 2,0Ah) to extend the temperature range in the luminaire to -20°C.



Technical specifications

Luminaire type	Luminaires for central battery systems	Self contained luminaires
Illuminant	3 W LED	3 W LED
Connecting terminals	3 x 2.5 mm ² for double assignment	
Colour	white / graphite grey	
Material	Aluminum die-cast	
Mounting type	Wall mounting	
Dimensions (W x H x D)	WM 140 x 140 x 87 mm	
Protection class	IP65	
Safety class	I	
IK Safety class	IK07	
Light current (mains)	280 lm	120 lm
Light current (emergency)		
Rated operating time 1h	-	280 lm
Rated operating time 3h	-	280 lm
Rated operating time 8h	-	120 lm
Luminous flux		
Emergency (DC) / mains		
Rated operating time 1h	-	100% / 45%
Rated operating time 3h	-	100% / 45%
Rated operating time 8h	-	45% / 45%
Power consumption	6 VA	5 VA
Battery current input	15 mA	-
Battery duration	-	1h / 3h / 8h
Battery operation	-	1h / 3h / 8h
Voltage supply	230V 50/60Hz; 220V DC +25/-20%	230V 50/60Hz
NiMH-battery		
Rated operating time 1h	-	4,8V 2,0Ah 4,8V 2,0Ah + AkH
Rated operating time 3h	-	4,8V 2,0Ah 4,8V 2,0Ah + AkH
Rated operating time 8h	-	4,8V 2,0Ah 4,8V 2,0Ah + AkH
Temperature range	-10°C to +40°C (monitored) / -20°C to +40°C (unmonitored)	-
Non-maintained mode	-	0°C to +35°C
Maintained mode	-	-5°C to +30°C
optional		
Multi-switch and monitoring module	ELC MSÜ3 SET009 SET010	-
Self monitoring	-	SELF CHECK
Central monitoring	-	SAFELOG Line

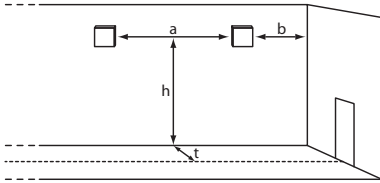
Wall mounting



Accessories

Rear mounting bracket

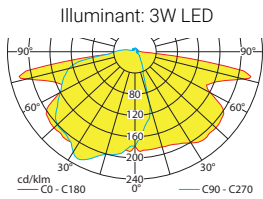
Lighting data and tables of luminaire distances (E = 1,25 lx)



Wall mounting

Luminaires for central battery systems **escape route optics**

Distance table for plane emergency routes / distance data in meters

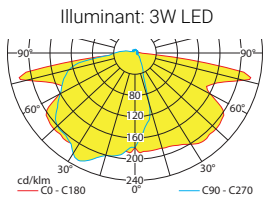


		h	1.90	2.00	2.10	2.30	2.50	2.70	2.90	3.00	3.10	3.30	3.50	4.00	4.50	5.00
t = 1.00	h	1.90	2.00	2.10	2.30	2.50	2.70	2.90	3.00	3.10	3.30	3.50	4.00	4.50	5.00	
	a	10.70	11.00	11.10	11.50	12.00	12.40	12.90	13.00	13.20	13.80	14.30	15.10	16.00	16.70	
	b	4.50	4.50	4.70	5.00	5.20	5.40	5.60	5.60	5.80	6.00	6.20	6.40	6.20	5.70	
t = 2.00	h	1.90	2.00	2.10	2.30	2.50	2.70	2.90	3.00	3.10	3.30	3.50	4.00	4.50	5.00	
	a	10.70	10.90	11.10	11.60	12.20	12.70	13.20	13.40	13.60	14.10	14.50	15.60	16.50	17.10	
	b	4.50	4.70	4.90	5.20	5.40	5.60	5.80	5.90	6.00	6.20	6.30	6.40	6.30	5.90	
t = 3.00	h	1.90	2.00	2.10	2.30	2.50	2.70	2.90	3.00	3.10	3.30	3.50	4.00	4.50	5.00	
	a	9.30	9.50	9.70	10.90	11.80	12.70	13.50	13.80	14.10	14.70	15.10	16.10	16.80	17.40	
	b	3.50	3.70	3.80	3.90	4.20	4.80	5.20	5.30	5.50	5.80	5.80	6.00	6.00	5.20	

t = distance to escape middle

Self contained luminaires **escape route optics**

Distance table for plane emergency routes / distance data in meters

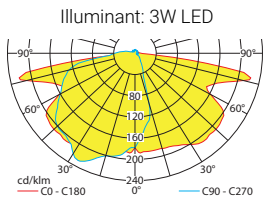


		h	1.90	2.00	2.10	2.30	2.50	2.70	2.90	3.00	3.10	3.30	3.50	4.00	4.50	5.00
t = 1.00	h	1.90	2.00	2.10	2.30	2.50	2.70	2.90	3.00	3.10	3.30	3.50	4.00	4.50	5.00	
	a	10.70	11.00	11.10	11.50	12.00	12.40	12.90	13.00	13.20	13.80	14.30	15.10	16.00	16.70	
	b	4.50	4.50	4.70	5.00	5.20	5.40	5.60	5.60	5.80	6.00	6.20	6.40	6.20	5.70	
t = 2.00	h	1.90	2.00	2.10	2.30	2.50	2.70	2.90	3.00	3.10	3.30	3.50	4.00	4.50	5.00	
	a	10.70	10.90	11.10	11.60	12.20	12.70	13.20	13.40	13.60	14.10	14.50	15.60	16.50	17.10	
	b	4.50	4.70	4.90	5.20	5.40	5.60	5.80	5.90	6.00	6.20	6.30	6.40	6.30	5.90	
t = 3.00	h	1.90	2.00	2.10	2.30	2.50	2.70	2.90	3.00	3.10	3.30	3.50	4.00	4.50	5.00	
	a	9.30	9.50	9.70	10.90	11.80	12.70	13.50	13.80	14.10	14.70	15.10	16.10	16.80	17.40	
	b	3.50	3.70	3.80	3.90	4.20	4.80	5.20	5.30	5.50	5.80	5.80	6.00	6.00	5.20	

t = distance to escape middle

Self contained luminaires **escape route optics**

Distance table for plane emergency routes / distance data in meters

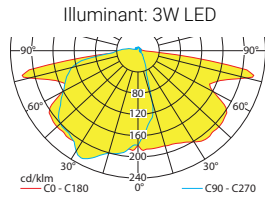


		h	1.90	2.00	2.10	2.30	2.50	2.70	2.90	3.00	3.10	3.30	3.50	4.00	4.50	5.00
t = 1.00	h	1.90	2.00	2.10	2.30	2.50	2.70	2.90	3.00	3.10	3.30	3.50	4.00	4.50	5.00	
	a	10.70	11.00	11.10	11.50	12.00	12.40	12.90	13.00	13.20	13.80	14.30	15.10	16.00	16.70	
	b	4.50	4.50	4.70	5.00	5.20	5.40	5.60	5.60	5.80	6.00	6.20	6.40	6.20	5.70	
t = 2.00	h	1.90	2.00	2.10	2.30	2.50	2.70	2.90	3.00	3.10	3.30	3.50	4.00	4.50	5.00	
	a	10.70	10.90	11.10	11.60	12.20	12.70	13.20	13.40	13.60	14.10	14.50	15.60	16.50	17.10	
	b	4.50	4.70	4.90	5.20	5.40	5.60	5.80	5.90	6.00	6.20	6.30	6.40	6.30	5.90	
t = 3.00	h	1.90	2.00	2.10	2.30	2.50	2.70	2.90	3.00	3.10	3.30	3.50	4.00	4.50	5.00	
	a	9.30	9.50	9.70	10.90	11.80	12.70	13.50	13.80	14.10	14.70	15.10	16.10	16.80	17.40	
	b	3.50	3.70	3.80	3.90	4.20	4.80	5.20	5.30	5.50	5.80	5.80	6.00	6.00	5.20	

t = distance to escape middle

Self contained luminaires escape route optics

Distance table for plane emergency routes / distance data in meters



Luminous flux emergency / mains: 120lm/120lm – **Rated operating time: 8h**

t =		Luminous flux emergency / mains: 120lm/120lm – Rated operating time: 8h														
		1.90	2.00	2.10	2.30	2.50	2.70	2.90	3.00	3.10	3.30	3.50	4.00	4.50	5.00	
1.00	h	1.90	2.00	2.10	2.30	2.50	2.70	2.90	3.00	3.10	3.30	3.50	4.00	4.50	5.00	
	a	8.50	8.50	9.00	9.50	10.00	10.00	10.50	11.00	11.00	11.00	11.00	11.00	9.50	7.50	
	b	3.50	3.50	4.00	4.00	4.00	4.00	4.00	4.00	4.00	4.00	4.00	3.50	3.00	2.50	1.00
2.00	h	1.90	2.00	2.10	2.30	2.50	2.70	2.90	3.00	3.10	3.30	3.50	4.00	4.50	5.00	
	a	8.00	8.00	8.50	9.50	10.00	10.50	10.50	11.00	11.00	11.00	11.00	11.00	10.00	7.00	
	b	3.00	3.00	3.00	3.00	3.50	3.50	3.50	3.50	3.50	3.50	3.50	3.00	2.00	1.00	
3.00	h	1.90	2.00	2.10	2.30	2.50	2.70	2.90	3.00	3.10	3.30	3.50	4.00	4.50	5.00	
	a	6.00	6.50	6.50	7.00	7.50	8.00	8.50	9.00	9.50	10.00	10.50	10.50	8.50	7.00	
	b	2.50	2.50	2.50	2.50	2.50	2.50	2.50	2.50	2.50	2.50	2.50	2.50	1.50	1.00	

t = distance to escape middle