



# BEAM AC-F

## Safety luminaire in compliance with EN 60598-1/2-22 and EN 1838.

Extremely flat, architecturally attractive die-cast aluminum housing. Screwless, easy-to-use locking mechanism.

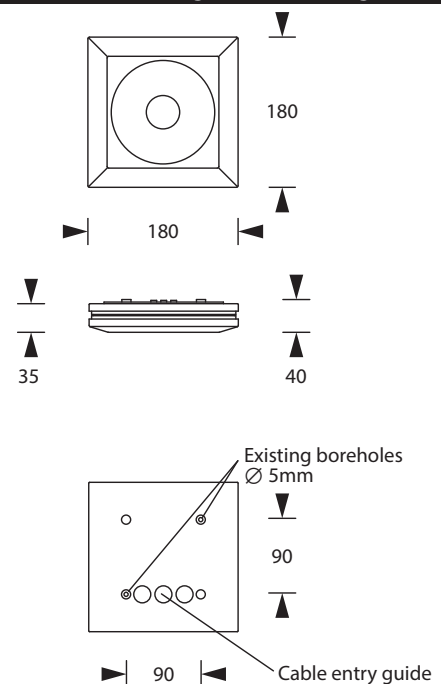
Version for surface ceiling mounting with cast acrylic optics for surface illumination due to circular light control characteristics.

## Technical specifications

Luminaire type	Luminaires for central battery systems	Self contained luminaires
Illuminant	3 W LED	3 W LED
Connecting terminals	3 x 2.5 mm <sup>2</sup> for double assignment	
Colour	white	
Material	Aluminum die-cast	
Mounting type	Ceiling mounting	
Additional mounting types*	Ceiling mounting (wire suspension)	
Dimensions (W x H x D)	DM 180 x 35 x 180 mm	
Protection class	IP40	
Safety class	I	
IK Safety class	IK03	
Light current (mains)	280 lm	50 lm
Light current (emergency)		
Rated operating time 1h	-	280 lm
Rated operating time 3h	-	280 lm
Rated operating time 8h	-	120 lm
Luminous flux		
Emergency (DC) / mains		
Rated operating time 1h	-	100% / 20%
Rated operating time 3h	-	100% / 20%
Rated operating time 8h	-	45% / 20%
Power consumption	6 VA	5 VA
Battery current input	15 mA	-
Battery duration		
Battery operation	-	1h / 3h / 8h
Voltage supply	230V 50/60Hz; 220V DC +25/-20%	230V 50/60Hz
NiMH-battery		
Rated operating time 1h	-	4,8V 2,0Ah
Rated operating time 3h	-	4,8V 2,0Ah
Rated operating time 8h	-	4,8V 2,0Ah
Temperature range	-10°C to +40°C	-
Non-maintained mode	-	0°C to +35°C
Maintained mode	-	-5°C to +30°C
optional		
Multi-switch and monitoring module	DALI ELC MSÜ3 SET009 SET010	-
Self monitoring	-	SELF CHECK
Central monitoring	-	SAFELOG Line
Wireless monitoring	-	SAFELOG Wireless



## Ceiling mounting



\* Optional accessory required

## Accessories

Wire guard	
Back box	
Cable assembly set	

## Lighting data and tables of luminaire distances (E = 1,25 lx)



Ceiling mounting

### Luminaires for central battery systems wide area optics

Distance table for plane emergency routes / distance data in meters

Illuminant: 3W LED  
Luminous flux emergency / mains: 280lm

h	2.50	3.00	3.50	4.00	4.50	5.00	5.50	6.00	6.50	7.00	7.50	8.00
a	10.50	11.90	13.20	14.10	14.60	14.90	14.80	14.60	14.20	12.00	9.90	7.80
b	4.70	5.10	5.20	5.20	5.00	4.50	3.30	2.00	0.90	0.80	0.80	0.80
c	10.50	11.90	13.20	14.10	14.60	14.90	14.80	14.60	14.20	12.00	9.90	7.80
d	4.70	5.10	5.20	5.20	5.00	4.50	3.30	2.00	0.90	0.80	0.80	0.80

### Self contained luminaires wide area optics

Distance table for plane emergency routes / distance data in meters

Illuminant: 3W LED  
Luminous flux emergency / mains: 280lm/50lm – **Rated operating time: 1h**

h	2.50	3.00	3.50	4.00	4.50	5.00	5.50	6.00	6.50	7.00	7.50	8.00
a	10.50	11.90	13.20	14.10	14.60	14.90	14.80	14.60	14.20	12.00	9.90	7.80
b	4.70	5.10	5.20	5.20	5.00	4.50	3.30	2.00	0.90	0.80	0.80	0.80
c	10.50	11.90	13.20	14.10	14.60	14.90	14.80	14.60	14.20	12.00	9.90	7.80
d	4.70	5.10	5.20	5.20	5.00	4.50	3.30	2.00	0.90	0.80	0.80	0.80

### Self contained luminaires wide area optics

Distance table for plane emergency routes / distance data in meters

Illuminant: 3W LED  
Luminous flux emergency / mains: 280lm/50lm – **Rated operating time: 3h**

h	2.50	3.00	3.50	4.00	4.50	5.00	5.50	6.00	6.50	7.00	7.50	8.00
a	10.50	11.90	13.20	14.10	14.60	14.90	14.80	14.60	14.20	12.00	9.90	7.80
b	4.70	5.10	5.20	5.20	5.00	4.50	3.30	2.00	0.90	0.80	0.80	0.80
c	10.50	11.90	13.20	14.10	14.60	14.90	14.80	14.60	14.20	12.00	9.90	7.80
d	4.70	5.10	5.20	5.20	5.00	4.50	3.30	2.00	0.90	0.80	0.80	0.80

### Self contained luminaires wide area optics

Distance table for plane emergency routes / distance data in meters

Illuminant: 3W LED  
Luminous flux emergency / mains: 120lm/50lm – **Rated operating time: 8h**

h	2.50	3.00	3.50	4.00	4.50	5.00						
a	9.00	9.60	9.70	9.50	7.70	6.00						
b	3.40	3.20	2.40	1.10	1.00	1.00						
c	9.00	9.60	9.70	9.50	7.70	6.00						
d	3.40	3.20	2.40	1.10	1.00	1.00						