



LBOARD E300 DE

Exit luminaire in compliance with EN 60598-1/2-22 and EN 1838.

Housing made from steel sheeting, powder coated in white.
Available for recessed mounting with 10 mm thick light-deflecting pane and replaceable pictograms.

The luminaire price includes per luminaire one pictogramfoil set - arrow left/right/down/up/blind (Visibility distance 30 m).

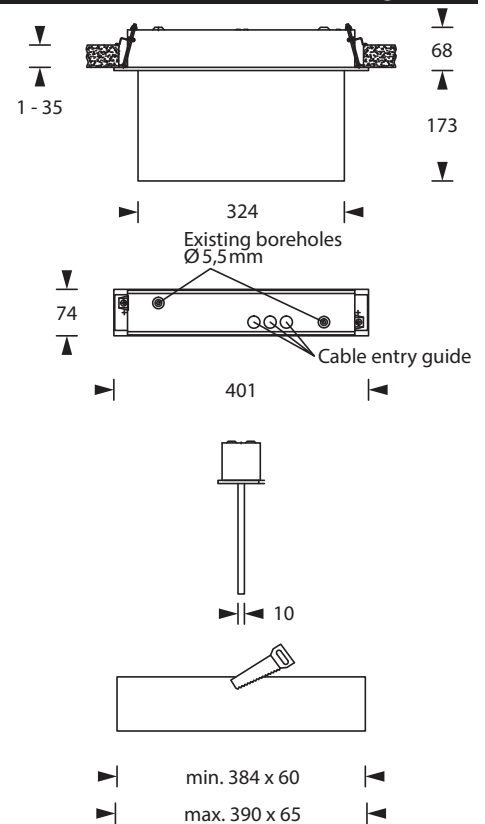
Optionally available with 1,5 or 3 Watt LED-bar.



Technical specifications

Luminaire type	Luminaires for central battery systems		Self contained luminaires	
	1.5 W LED-bar	3 W LED-bar	1.5 W LED-bar	3 W LED-bar
Illuminant				
Visibility distance	30 m			
Connecting terminals	3 x 2.5 mm ² for double assignment			
Colour	white			
Material	Sheet steel			
Mounting type	Recessed mounting			
Dimensions (W x H x D)	DE 401 x 241 x 74 mm			
Pane dimensions (W x H x D)	324 x 187.5 x 10 mm			
Dimensions ceiling cutout (L x W)	min. 384 x 60 mm / max. 390 x 65 mm			
Installation depth	98 mm			
Protection class	IP40			
Safety class	I			
IK Safety class	IK03			
Light current (mains)	190 lm	350 lm	190 lm	350 lm
Luminous flux				
Emergency (DC) / mains				
Rated operating time 1h	-	-	40% / 100%	20% / 100%
Rated operating time 3h	-	-	40% / 100%	20% / 100%
Rated operating time 8h	-	-	20% / 100%	10% / 100%
Power consumption	5 VA	6 VA	5 VA	6 VA
Battery current input	12 mA	19 mA		-
Battery duration				
Battery operation	-		1h / 3h / 8h	
Voltage supply	230V 50/60Hz; 220V DC +25/-20%		230V 50/60Hz	
NiMH-battery				
Rated operating time 1h	-	-	4,8V 0,8Ah	4,8V 0,8Ah
Rated operating time 3h	-	-	4,8V 0,8Ah	4,8V 0,8Ah
Rated operating time 8h	-	-	4,8V 0,8Ah	4,8V 0,8Ah
Temperature range	-10°C to +40°C		-	
Non-maintained mode	-		0°C to +35°C	
Maintained mode	-		-5°C to +30°C	
optional				
Multi-switch and monitoring module	DALI ELC MSÜ3 SET009 SET010		-	
Self monitoring	-		SELF CHECK	
Central monitoring	-		SAFELOG Line	
Wireless monitoring	-		SAFELOG Wireless	

Recessed mounting



Pictogram-set - included in the delivery



Optional pictograms (-sets)



Accessories

Cement assembly box

Pictograms