



# S-LINE 200 DMS

## Exit luminaire in compliance with EN 60598-1/2-22 and EN 1838.

Extremely slim, attractive housing made of polycarbonate. Screwless, easy-to-use locking mechanism.

Version for disc cable suspension (cable 1.5m) as ceiling-mounted version. Optionally, the luminaire is available from the factory with a 2 x 5 m or a 2 x 10 m live cable. With optional recessed ceiling frame also available as recessed ceiling version.

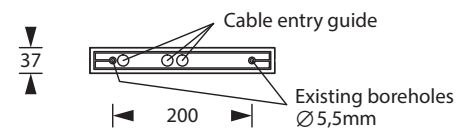
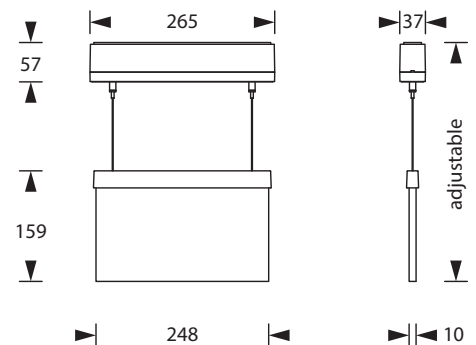
The 10 mm light deflecting pane is illuminated with a 1 watt or 2 watt LED-bar and supplied with a pictogram set - arrow left/right/down/up/blind (Visibility distance 23 m).



## Technical specifications

| Luminaire type                         | Luminaires for central battery systems        |             | Self contained luminaires |             |
|--|---|-------------|---------------------------|-------------|
|  | 1 W LED-bar                                   | 2 W LED-bar | 1 W LED-bar               | 2 W LED-bar |
| Visibility distance                    | 23 m  |             |                           |             |
| Connecting terminals                   | 2 x 2.5 mm <sup>2</sup> for double assignment |             |                           |             |
| Colour                                 | white / black                                 |             |                           |             |
| Material                               | Polycarbonate                                 |             |                           |             |
| Mounting type                          | Wall-/ceiling mounting (wire suspension)      |             |                           |             |
| Dimensions (W x H x D)                 | DMS 265 x 216 x 37 mm                         |             |                           |             |
| Pane dimensions (W x H x D)            | 248 x 148 x 10 mm                             |             |                           |             |
| Protection class                       | IP40  |             |                           |             |
| Safety class                           | II  |             |                           |             |
| IK Safety class                        | IK03  |             |                           |             |
| Light current (mains)                  | 130 lm  | 260 lm      | 130 lm                    | 260 lm      |
| Luminous flux Emergency (DC) / mains   |   |             |                           |             |
| Rated operating time 1h                | -   | -           | 50% / 100%                | 30% / 100%  |
| Rated operating time 3h                | -   | -           | 50% / 100%                | 30% / 100%  |
| Rated operating time 8h                | -   | -           | 25% / 100%                | 15% / 100%  |
| Power consumption                      | 4.5 VA  | 5.5 VA      | 4.5 VA                    | 5.5 VA      |
| Battery current input                  | 11 mA   | 14 mA       | -                         |             |
| Rated operating time Battery operation | -   |             | 1h / 3h / 8h              |             |
| Voltage supply                         | 230V 50/60Hz;<br>220V DC +25/-20%             |             | 230V 50/60Hz              |             |
| NiMH-battery                           |   |             |                           |             |
| Rated operating time 1h                | -   | -           | 4,8V 0,8Ah                | 4,8V 0,8Ah  |
| Rated operating time 3h                | -   | -           | 4,8V 0,8Ah                | 4,8V 0,8Ah  |
| Rated operating time 8h                | -   | -           | 4,8V 0,8Ah                | 4,8V 0,8Ah  |
| Temperature range                      | -10°C to +40°C                                |             | -                         |             |
| Non-maintained mode                    | -   |             | 0°C to +35°C              |             |
| Maintained mode                        | -   |             | -5°C to +30°C             |             |
| optional                               |   |             |                           |             |
| Multi-switch and monitoring module     | ELC<br>MSÜ3<br>SET009<br>SET010               |             | -                         |             |
| Self monitoring                        | -   |             | SELF CHECK                |             |
| Central monitoring                     | -   |             | SAFELOG Line              |             |
| Wireless monitoring                    | -   |             | SAFELOG Wireless          |             |

## Wall-/ceiling mounting (wire suspension)



## Pictogram-set - included in the delivery



## Accessories

Cement assembly box

---

Recessed ceiling frame - clampable

---

Universal cover plate

---

Pictograms

---