



S-LINE 300 DMS

Exit luminaire in compliance with EN 60598-1/2-22 and EN 1838.

Extremely slim, attractive housing made of polycarbonate. Screwless, easy-to-use locking mechanism.

Version for disc cable suspension (cable 1.5m) as ceiling-mounted version. Optionally, the luminaire is available from the factory with a 2 x 5 m or a 2 x 10 m live cable. With optional recessed ceiling frame also available as recessed ceiling version.

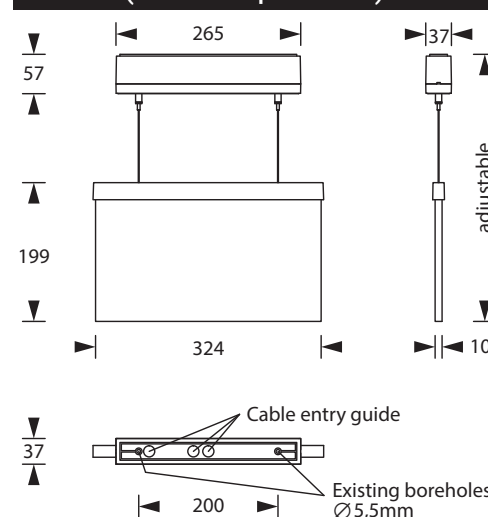
The 10 mm light deflecting pane is illuminated with a 1,5 watt or 3 watt LED-bar and supplied with a pictogram set - arrow left/right/down/up/blind (Visibility distance 30 m).



Technical specifications

Luminaire type	Luminaires for central battery systems		Self contained luminaires	
	1.5 W LED-bar	3 W LED-bar	1.5 W LED-bar	3 W LED-bar
Illuminant				
Visibility distance	30 m			
Connecting terminals	2 x 2.5 mm ² for double assignment			
Colour	white / black			
Material	Polycarbonate			
Mounting type	Wall-/ceiling mounting (wire suspension)			
Dimensions (W x H x D)	DMS 265 x 256 x 37 mm			
Pane dimensions (W x H x D)	324 x 187.5 x 10 mm			
Protection class	IP40			
Safety class	II			
IK Safety class	IK03			
Light current (mains)	190 lm	350 lm	190 lm	350 lm
Luminous flux				
Emergency (DC) / mains				
Rated operating time 1h	-	-	40% / 100%	20% / 100%
Rated operating time 3h	-	-	40% / 100%	20% / 100%
Rated operating time 8h	-	-	20% / 100%	10% / 100%
Power consumption	5 VA	6 VA	5 VA	6 VA
Battery current input	12 mA	19 mA	-	
Rated operating time Battery operation	-		1h / 3h / 8h	
Voltage supply	230V 50/60Hz; 220V DC +25/-20%		230V 50/60Hz	
NiMH-battery				
Rated operating time 1h	-	-	4,8V 0,8Ah	4,8V 0,8Ah
Rated operating time 3h	-	-	4,8V 0,8Ah	4,8V 0,8Ah
Rated operating time 8h	-	-	4,8V 0,8Ah	4,8V 0,8Ah
Temperature range	-10°C to +40°C		-	
Non-maintained mode	-		0°C to +35°C	
Maintained mode	-		-5°C to +30°C	
optional				
Multi-switch and monitoring module	ELC MSÜ3 SET009 SET010		-	
Self monitoring	-		SELF CHECK	
Central monitoring	-		SAFELOG Line	
Wireless monitoring	-		SAFELOG Wireless	

Wall-/ceiling mounting (wire suspension)



Pictogram-set - included in the delivery



Accessories

Cement assembly box

Recessed ceiling frame - clampable

Universal cover plate

Pictograms
