



# SMARTLUX 300 WM

## Exit luminaire in compliance with EN 60598-1/2-22 and EN 1838.

Elegant, modern IP54 escape sign luminaire made of white polycarbonate with clear cover and simple, screwless mounting by click system.

Luminaire for single-sided pictogram equipment for wall mounting.

The luminaire price includes one pictogram foil set - arrow left/right/down/up/blind (Visibility distance 30 m).

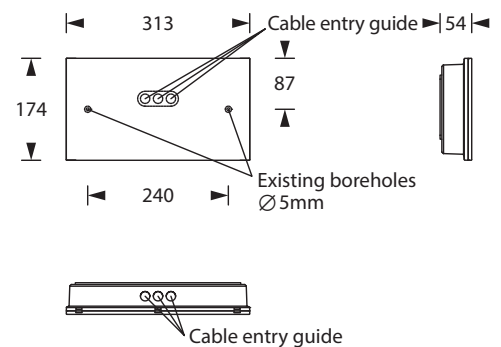
The luminaire is equipped with a 1,5 Watt LED-bar.



## Technical specifications

Luminaire type	Luminaires for central battery systems	Self contained luminaires
Illuminant	1.5 W LED-bar	1.5 W LED-bar
Visibility distance	30 m	
Connecting terminals	2 x 2.5 mm <sup>2</sup> for double assignment	
Colour	white	
Material	Polycarbonate (light cover clear)	
Mounting type	Wall mounting	
Dimensions (W x H x D)	WM 313 x 174 x 54 mm	
Protection class	IP54	
Safety class	II	
IK Safety class	IK03	
Light current (mains)	190 lm	190 lm
Luminous flux		
Emergency (DC) / mains		
Rated operating time 1h	-	40% / 100%
Rated operating time 3h	-	40% / 100%
Rated operating time 8h	-	20% / 100%
Power consumption	5 VA	5 VA
Battery current input	12 mA	-
Battery duration	-	1h / 3h / 8h
Battery operation		
Voltage supply	230V 50/60Hz; 220V DC +25/-20%	230V 50/60Hz
NiMH-battery		
Rated operating time 1h	-	4,8V 0,8Ah
Rated operating time 3h	-	4,8V 0,8Ah
Rated operating time 8h	-	4,8V 0,8Ah
Temperature range	-10°C to +40°C	-
Non-maintained mode	-	0°C to +35°C
Maintained mode	-	-5°C to +30°C
optional		
Multi-switch and monitoring module	ELC MSÜ3 SET009 SET010	-
Self monitoring	-	SELF CHECK
Central monitoring	-	SAFELOG Line
Wireless monitoring	-	SAFELOG Wireless

## Wall mounting



Pictogram-set - included in the delivery



Optional pictograms (-sets)



Accessories

Ball protection cover

Wire guard

Recessed frame - set

Pictograms