



# INDEPENDENCE 300 DES

## Exit luminaire in compliance with EN 60598-1/2-22 and EN 1838.

Flat, architectural high quality stainless steel case with shapely, slim enclosure of light guide pane.

Version for ceiling surface mounting with wire suspension (rope 1,5m) for the disc unit. Optionally, the luminaire is available from the factory with a 2 x 5 m or a 2 x 10 m live cable.

The luminaire price includes one pictogram set - arrow left/right/down/up/blind (Visibility distance 30 m).

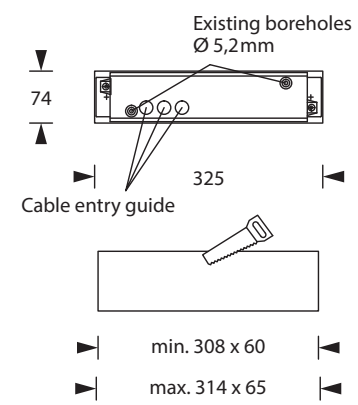
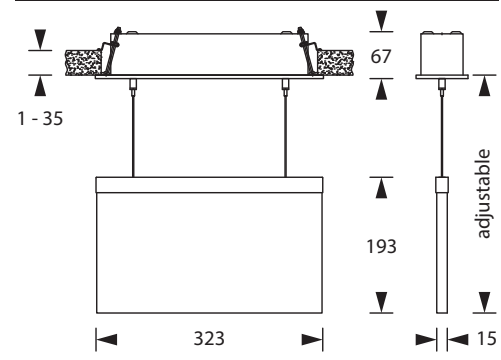
The 15 mm light-deflecting pane is supplied with a 3 Watt LED-bar.



## Technical specifications

Luminaire type	Luminaires for central battery systems	Self contained luminaires
Illuminant	3 W LED-bar	3 W LED-bar
Visibility distance	30 m	
Connecting terminals	3 x 2.5 mm <sup>2</sup> for double assignment	
Colour	Stainless steel brushed	
Material	Stainless steel (V4A)	
Mounting type	Recessed mounting (wire suspension)	
Dimensions (W x H x D)	DES 325 x 260 x 74 mm	
Pane dimensions (W x H x D)	321.4 x 181.6 x 15 mm	
Dimensions ceiling cutout (L x W)	min. 308 x 60 mm / max. 314 x 65 mm	
Installation depth	97 mm	
Protection class	IP40	
Safety class	I	
IK Safety class	IK03	
Light current (mains)	350 lm	350 lm
Luminous flux		
Emergency (DC) / mains		
Rated operating time 1h	-	20% / 100%
Rated operating time 3h	-	20% / 100%
Rated operating time 8h	-	10% / 100%
Power consumption	6 VA	6 VA
Battery current input	19 mA	-
Battery duration	-	1h / 3h / 8h
Battery operation		
Voltage supply	230V 50/60Hz; 220V DC +25/-20%	230V 50/60Hz
NiMH-battery		
Rated operating time 1h	-	4,8V 0,8Ah
Rated operating time 3h	-	4,8V 0,8Ah
Rated operating time 8h	-	4,8V 0,8Ah
Temperature range	-10°C to +40°C	-
Non-maintained mode	-	0°C to +35°C
Maintained mode	-	-5°C to +30°C
optional		
Multi-switch and monitoring module	DALI ELC MSÜ3 SET009 SET010	-
Self monitoring	-	SELF CHECK
Central monitoring	-	SAFELOG Line
Wireless monitoring	-	SAFELOG Wireless

## Recessed mounting (wire suspension)



Pictogram-set - included in the delivery



Optional pictograms (-sets)



Accessories

Cement assembly box

Pictograms